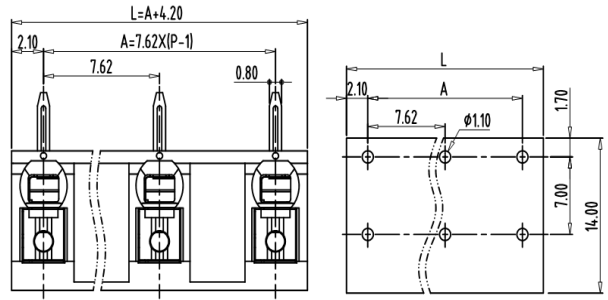
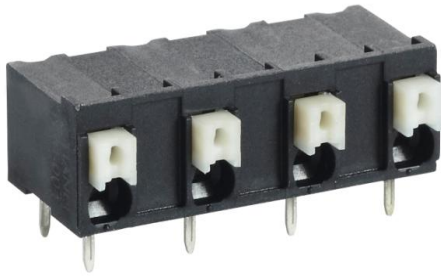
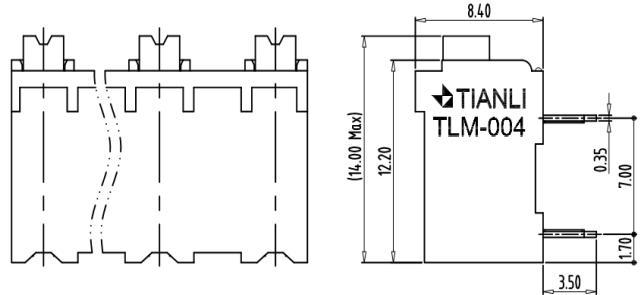


PCB terminal block — TLM series ( Screwless Type ) — TLM-004RT-7.62



PCB Layout



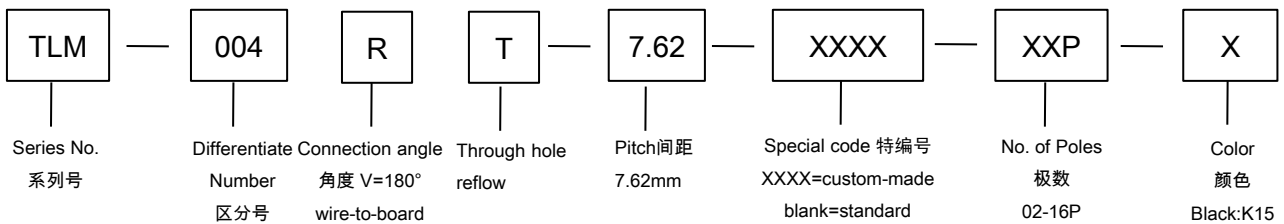
■ 图示(Pic. shown) : TLM-004RT-7.62-04P-K

General. PCB terminal block Rated : 630V,17.5A 1.5mm<sup>2</sup>  
Single row , 7.62mm pitch , 02-16 Pole  
Wiring orientation: 180°(wire-to-board)  
Screwless Type

认证 ( Approval ) :

技术参数 Technical Data	UL standard			IEC standard		
UL应用组别(UL Application group)	UL Application group			IEC过电压别/污染等级(IEC overvoltage category /pollution degree)		
IEC过电压别/污染等级(IEC overvoltage category /pollution degree)	B	C	D	III / 3	III / 2	II / 2
额定电压(Rated voltage)	300V	--	300V	--	630V	--
额定电流(Rated current)	12A	--	10A	--	17.5A	--
额定连接容量(Rated connection capacity)	24-16AWG Sol&Str			0.2~1.5mm <sup>2</sup> Sol&Str		
绝缘材料(Insulation Material)				PAHT UL94 V-0		
电流承载部件材料和镀层( Material & Plating of Current carrier )				Copper alloy , Tin plated		
接线弹片材料(Material of Clamp spring )				Stainless Steel ( GrNi )		
绝缘电阻(Insulation Resistance)				500MΩ or more at DC500V		
耐电压(1分钟)(Withstanding Voltage/1Min)				4200V		
额定冲击电压(Rated surge voltage)				--		
接线螺丝(Wire clamp unit Screw) , 最大扭矩( torque Max. )				--		
固定螺丝(Mounting Screw) , 扭矩(torque)				--		
剥线长度(Wire stripping length)				8.0-9.0mm		
使用温度(Operating temperature)				-40°C up to +105°C		
焊接方式(Soldering recommend)	Reflow soldering ,265°C 30S Max					

■ 订购方式(How to order)



Web:www.china-tianli.com TEL:+86-574-6347-9600,6389-6436 Mail : sale@china-tianli.cn  
地址:中国浙江省宁波杭州湾新区庵东工业园区纬三路138号  
ADD : 138 , Weisan Rd.,Andong Development Zone, Hangzhou Bay Area, Ningbo, Zhejiang, China