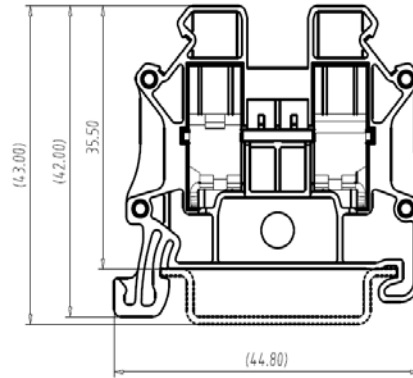
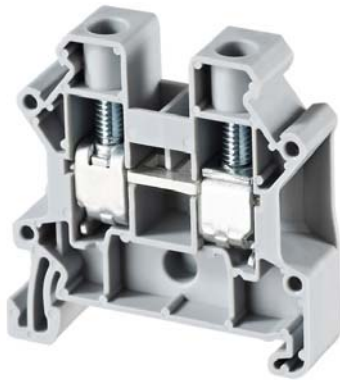


## Rail Mounted Terminal Block — TK series — TK10-T

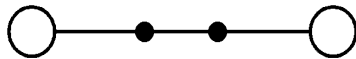


### ■ 图示(Pic. shown) : TK10-T(M19S)

General: Rail Mounted terminal block Rated: 1000V, 57A 10mm<sup>2</sup>  
Screw clamp unit: M4, 1.2N·m  
Mounting type: DIN Rail TH35-7.5

认证 (Approval)   

### ■ 电路图(Circuit diagram)



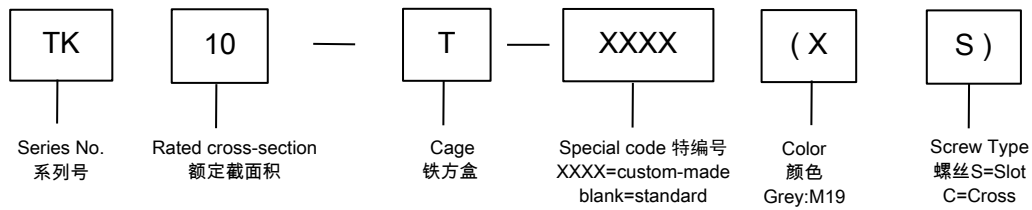
### ■ 尺寸(Dimensions)

长度(Length)	44.80mm
宽度(Width)	10.20mm
安装高度(Height TH35-7.5)	43.00mm

### ■ 技术参数 Technical Data

UL应用组别(UL Application group)	UL standard			IEC standard		
	B	C	D	IEC过电压别/污染等级(IEC overvoltage category /pollution degree)		
IEC过电压别/污染等级(IEC overvoltage category /pollution degree)				III / 3	III / 2	II / 2
额定电压(Rated voltage)	600V	600V	600V	1000V	1000V	1000V
额定电流(Rated current)	65A	65A	5A	57A	57A	57A
额定连接容量(Rated connection capacity)	20 ~ 6AWG			0.5 ~ 10mm <sup>2</sup> &16mm <sup>2</sup> (sol)		
刚性导线横截面 ( AWG ) ( Conductor cross section,solid )				20 ~ 6		
柔性导线横截面 ( AWG ) ( Conductor cross section,stranded )				20 ~ 6		
刚性导线横截面 ( mm <sup>2</sup> ) ( Conductor cross section,rigid )				0.5 ~ 16		
柔性导线横截面 ( mm <sup>2</sup> ) ( Conductor cross section,flexible )				0.5 ~ 10		
具有相同横截面的2根实心导线 ( mm <sup>2</sup> ) ( 2 conductors with cross section,solid )				0.5 ~ 4		
具有相同横截面的2根柔性导线 ( mm <sup>2</sup> ) ( 2 conductors with cross section,flexible )				0.5 ~ 4		
柔性导线横截面, 不带绝缘套管的冷压头 ( mm <sup>2</sup> ) ( Conductor cross section flexible , with ferrule without plastic sleeve )				0.5 ~ 10		
柔性导线横截面, 带绝缘套管的冷压头 ( mm <sup>2</sup> ) ( Conductor cross section flexible , with ferrule with plastic sleeve )				0.5 ~ 10		
2根具有相同横截面的导线, 柔性, 带TWIN套管及塑料套管 ( mm <sup>2</sup> ) ( 2 conductors with the same section flexible with TWIN ferrule and plastic sleeve )				0.5 ~ 6		
绝缘材料(Insulation Material)				PA66 UL94 V-0		
电流承载部件材料和镀层 ( Material & Plating of Current carrier )				Copper alloy , Tin plated		
接线螺丝(Wire clamp unit Screw) , 最大扭矩( torque Max. )				M4, 1.2N·m		
绝缘电阻(Insulation Resistance)				500MΩ or more at DC500V		
耐电压(1分钟)(Withstanding Voltage/1Min)				2200V		
额定冲击电压(Rated surge voltage)				8KV		
剥线长度(Wire stripping length)				10.0~11.0mm		
使用温度(Operating temperature)				-40°C up to +115°C		

## 订购方式(How to order)



## Rail Terminal Block — TK series — TK10-T — Accessories

### 安装导轨 DIN Rail



P/N:TH35-7.5-ST

P/N:TH35-7.5-AL

### 盖板 Cover P/N: TKC10-T



### 标示牌 Marking label P/N: MARK10-M



### 桥接件 Plug-in bridge P/N: TKFB10-XXP



### 终端固定器 End clamp



P/N: ETNS01



P/N: ETNS03



P/N: ETNS02