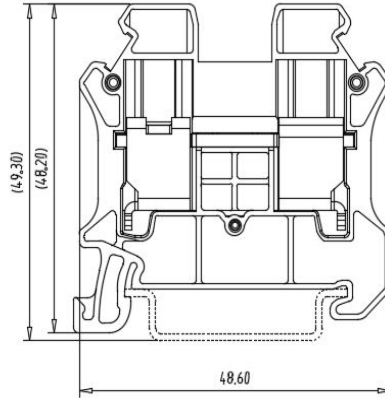
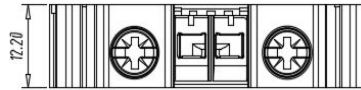


Rail Mounted Terminal Block — TK series — TK16



■ 图示(Pic. shown) : TK16(M19C)

General:	Rail Mounted terminal block Rated : 1000V, 76A 16mm ²
	Screw clamp unit: M5,2.5N·m
	Mounting type: DIN Rail TH35-7.5

认证 (Approval) :   

■ 电路图(Circuit diagram)

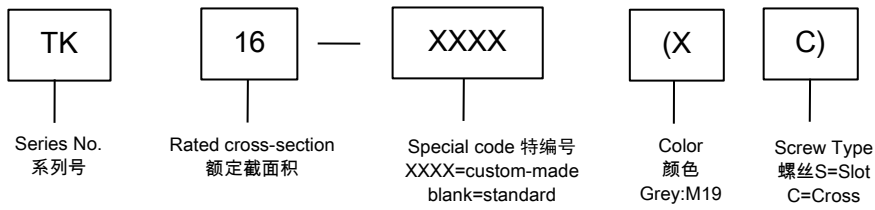


■ 尺寸(Dimensions)

长度(Length)	48.6mm
宽度(Width)	12.2mm
安装高度(Height TH35-7.5)	49.3mm

■ 技术参数 Technical Data	UL standard			IEC standard		
	UL Application group			IEC过电压别/污染等级(IEC overvoltage category /pollution degree)		
UL应用组别(UL Application group)	B	C	D	III / 3	III / 2	II / 2
IEC过电压别/污染等级(IEC overvoltage category /pollution degree)				1000	--	--
额定电压(Rated voltage)	600V	600V	600V	76A	--	--
额定电流(Rated current)	100A	100A	5A			
额定连接容量(Rated connection capacity)	16 ~ 3AWG			1.5 ~ 25mm ²		
刚性导线横截面 (AWG) (Conductor cross section , solid)				16 ~ 3		
柔性导线横截面 (AWG) (Conductor cross section , stranded)				16 ~ 3		
刚性导线横截面 (mm ²) (Conductor cross section , rigid)				1.5 ~ 25		
柔性导线横截面 (mm ²) (Conductor cross section , flexible)				1.5 ~ 25		
具有相同横截面的2根实心导线 (mm ²) (2 conductors with cross section,solid)				1 ~ 6		
具有相同横截面的2根柔性导线 (mm ²) (2 conductors with cross section,flexible)				1 ~ 6		
柔性导线横截面, 不带绝缘套管的冷压头 (mm ²) (Conductor cross section flexible , with ferrule without plastic sleeve)				1 ~ 16		
柔性导线横截面, 带绝缘套管的冷压头 (mm ²) (Conductor cross section flexible , with ferrule with plastic sleeve)				1 ~ 16		
2根具有相同横截面的导线, 柔性, 带TWIN套管及塑料套管 (mm ²) (2 conductors with the same section flexible with TWIN ferrule and plastic sleeve)				1 ~ 6		
绝缘材料(Insulation Material)				PA66 UL94 V-0		
电流承载部件材料和镀层 (Material & Plating of Current carrier)				Copper alloy , Tin plated		
接线螺丝(Wire clamp unit Screw), 最大扭矩(torque Max.)				M5, 2.5N·m		
绝缘电阻(Insulation Resistance)				500MΩ or more at DC500V		
耐电压(1分钟)(Withstanding Voltage/1Min)				2200V		
额定冲击电压(Rated surge voltage)				8KV		
剥线长度(Wire stripping length)				13mm		
使用温度(Operating temperature)				-40°C up to +115°C		

订购方式(How to order)



Rail Terminal Block — TK series — TK16 —Accessories

安装导轨 DIN Rail



P/N:TH35-7.5-ST

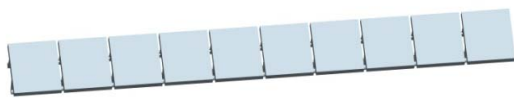


P/N:TH35-7.5-AL

盖板 Cover P/N: TKC16



标示牌 Marking label P/N:MARK16DB-M



桥接件 Plug-in bridge P/N:TKFB16



终端固定器 End clamp



P/N: ETNS01



P/N: ETNS03



P/N: ETNS02