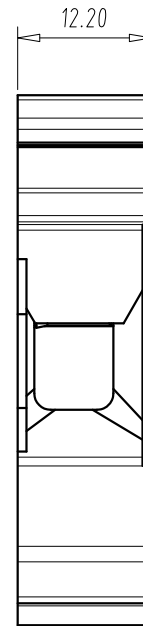
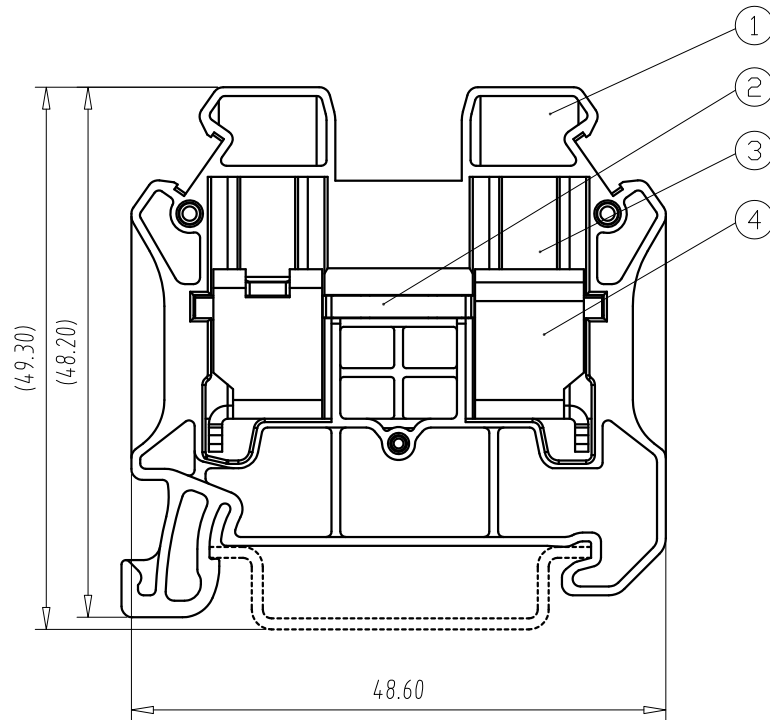
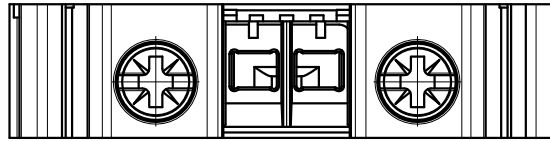


FILE: TK\TK16XC

REV	E.C.N NO.	CONTENT	CHK	DATE
V1.0		ORIGINAL	GJJ	2024.05.21



NOTES:

- IEC:
 - Rating:1000V, 76A;
 - Rate Impulse Voltage:8000V;
 - Insulation Resistance:500MΩ or more at DC500V;
 - Contact Resistance: ≤5mΩ
 - Material Group: I ;
 - Pollution Degree:3;
 - Overtoltage Category:III;
 - Suitable Electric Wire:1.5mm²~16mm²&25mm² (rigid)
- UL:
 - Rating:600V, 100A;
 - Insulation Withstands Voltage:AC2200V/MIN;
 - Suitable Electric Wire:16AWG~3AWG
- Using Temperature Range:-40℃~+115℃;
- Screw Torque Value:2.5N·m
- Strip length:13.0mm
- RoHS compliance;

TK16(X C)

- Cross screw
- Color:
 - M19:Grey
 - L01:Blue
 - R03:Red
 - K:Black
 - ⋮

4	BLOCK	2	STEEL	M5/Zn Plated
3	SCREW	2	STEEL	M5/Zn Plated
2	CURRENT CARRIER	1	Copper Alloy	Tin Plated
1	HOUSING	1	PA66	UL94 V-0
ITEM	NAME OF PART	Q'TY	MATERIAL	NOTE

Total Pitch Tolerances in mm										Nominal dimension range in mm									
over	over	over	over	over	over	over	over	over	over	over	over	over	over	over	over	over	over	over	over
0	30	53	70	90	115	150	200	250	320	0	30	53	70	90	115	150	200	250	320
±0.20	±0.25	±0.3	±0.35	±0.44	±0.55	±0.70	±0.85	±1.00	±1.20	±0.25	±0.30	±0.35	±0.44	±0.55	±0.70	±0.80	±0.90	±1.20	

DWG.	LF	DATE	2022.02.25	UNITS	MM	SHEET/OF	1/1								
CHK.		DATE		SCALE	15 : 1	A4									
APP.		DATE		<table border="1"> <tr> <td>NAME</td> <td colspan="3">TK16(XC)</td> </tr> <tr> <td>DWGNO.</td> <td colspan="3">TLDW-TK16XC</td> </tr> </table>				NAME	TK16(XC)			DWGNO.	TLDW-TK16XC		
NAME	TK16(XC)														
DWGNO.	TLDW-TK16XC														
<p>TIANLI ELECTRICAL MACHINERY(NINGBO)CO.,LTD.</p>															