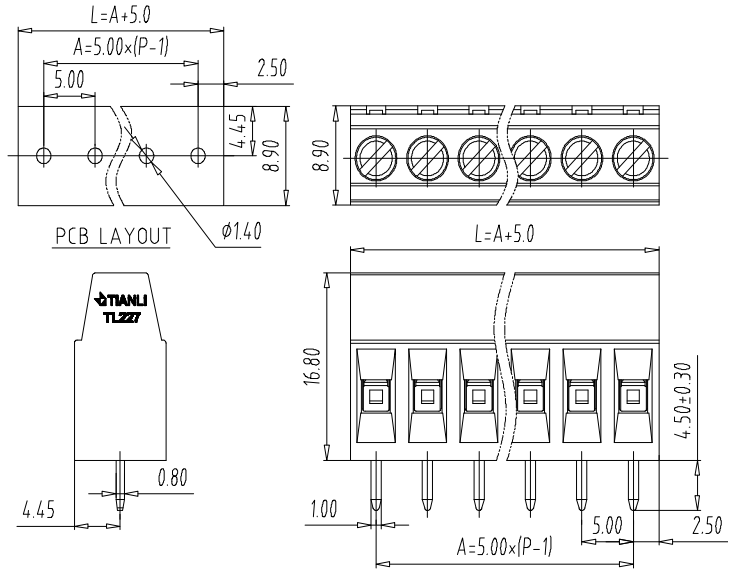


PCB Connector — TL series ( Raising clamp )— TL227V



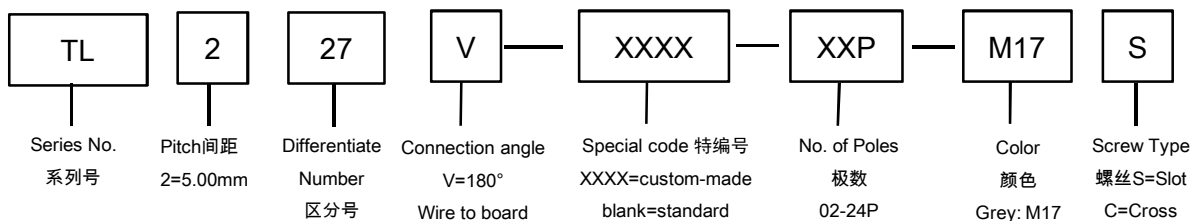
**图示(Pic. shown) : TL227V-04P-M17S**

General. PCB Connector Rated : 320V,24A , 2.5mm<sup>2</sup>  
Single row , 5.00mm pitch , 02-24 Pole  
Wiring orientation:180°(wire to board )  
Screw clamp unit: M3, 0.5Nm Max

认证 ( Approval ) :   
UL<sup>®</sup> US

技术参数 Technical Data	UL standard			IEC standard		
UL应用组别(UL Application group)	UL Application group			IEC过电压别/污染等级(IEC overvoltage category /pollution degree)		
IEC过电压别/污染等级(IEC overvoltage category /pollution degree)	B	C	D	III / 3	III / 2	II / 2
额定电压(Rated voltage)	300V	--	300V	--	320V	--
额定电流(Rated current)	15A	--	10A	--	24A	--
额定连接容量(Rated connection capacity)	30-14AWG Sol&Str			0.2~2.5mm <sup>2</sup> Sol&Str		
绝缘材料(Insulation Material)	PA66 UL94 V-0					
电流承载部件材料和镀层( Material & Plating of Current carrier )	Copper alloy , Tin plated					
接线弹片材料(Material of Clamp spring )	--					
绝缘电阻(Insulation Resistance)	500MΩ or more at DC500V					
耐电压(1分钟)(Withstanding Voltage/1Min)	2500V					
额定冲击电压(Rated surge voltage)	--					
接线螺丝(Wire clamp unit Screw) , 最大扭矩( torque Max. )	M3 , 0.5Nm Max					
固定螺丝(Mounting Screw) , 扭矩(torque)	--					
剥线长度(Wire stripping length)	7mm					
使用温度(Operating temperature)	-40°C up to +105°C					
焊接方式(Soldering recommend)	--					

**订购方式(How to order)**



Web:www.china-tianli.com TEL:+86-574-6347-9600,6389-6436 Mail : sale@china-tianli.cn  
地址:中国浙江省宁波杭州湾新区庵东工业园区纬三路138号  
ADD : 138 , Weisan Rd.,Andong Development Zone, Hangzhou Bay Area, Ningbo, Zhejiang, China