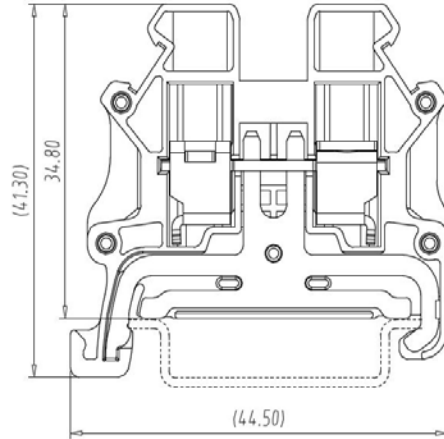
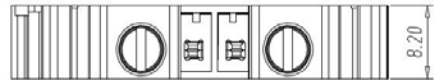



Rail Mounted Terminal Block — TK series — TK6-T-PE

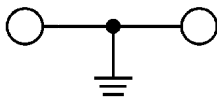


■ 图示(Pic. shown) : TK6-T-PE(S)

General:	Rail Mounted terminal block Rated: 1000V 6mm ²
	Screw clamp unit: M4,1.2N·m
	Mounting type: DIN Rail TH35-7.5

认证 (Approval) 

■ 电路图(Circuit diagram)



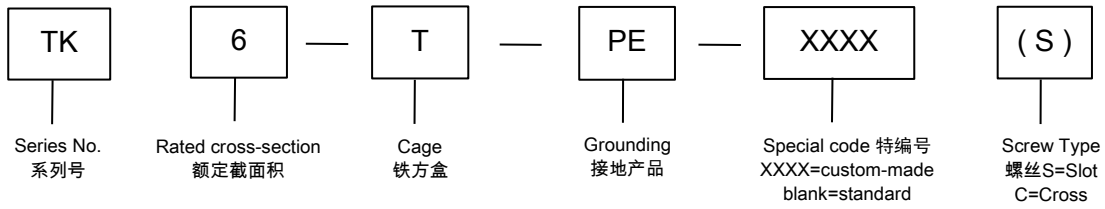
■ 尺寸(Dimensions)

长度(Length)	44.50mm
宽度(Width)	8.20mm
安装高度(Height TH35-7.5)	41.30mm

■ 技术参数Technical Data

UL应用组别(UL Application group) IEC过电压别/污染等级(IEC overvoltage category /pollution degree)	UL standard			IEC standard		
	B	C	D	IEC过电压别/污染等级(IEC overvoltage category /pollution degree)		
额定电压(Rated voltage)	600V	600V	600V	1000V	--	--
额定电流(Rated current)	--	--	--	--	--	--
额定连接容量(Rated connection capacity)	24 ~ 8AWG			0.2 ~ 6mm ² &10mm ² (sol)		
刚性导线横截面 (AWG) (Conductor cross section , solid)				24 ~ 8		
柔性导线横截面 (AWG) (Conductor cross section , stranded)				24 ~ 8		
刚性导线横截面 (mm ²) (Conductor cross section , rigid)				0.2 ~ 10		
柔性导线横截面 (mm ²) (Conductor cross section , flexible)				0.2 ~ 6		
具有相同横截面的2根实心导线 (mm ²) (2 conductors with cross section,solid)				0.2 ~ 2.5		
具有相同横截面的2根柔性导线 (mm ²) (2 conductors with cross section,flexible)				0.2 ~ 2.5		
柔性导线横截面, 不带绝缘套管的冷压头 (mm ²) (Conductor cross section flexible , with ferrule without plastic sleeve)				0.2 ~ 6		
柔性导线横截面, 带绝缘套管的冷压头 (mm ²) (Conductor cross section flexible , with ferrule with plastic sleeve)				0.2 ~ 6		
2根具有相同横截面的导线, 柔性, 带TWIN套管及塑料套管 (mm ²) (2 conductors with the same section flexible with TWIN ferrule and plastic sleeve)				0.5 ~ 4		
绝缘材料(Insulation Material)				PA66 UL94 V-0		
电流承载部件材料和镀层 (Material & Plating of Current carrier)				Copper alloy , Tin plated		
接线螺丝(Wire clamp unit Screw), 最大扭矩(torque Max.)				M4, 1.2N·m		
绝缘电阻(Insulation Resistance)				500MΩ or more at DC500V		
耐电压(1分钟)(Withstanding Voltage/1Min)				2200V		
额定冲击电压(Rated surge voltage)				8KV		
剥线长度(Wire stripping length)				10mm		
使用温度(Operating temperature)				-40°C up to +115°C		

订购方式(How to order)

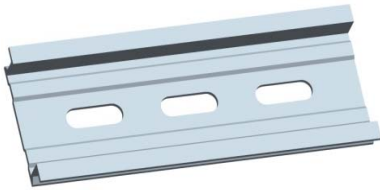


Rail Terminal Block — TK series — TK6-T-PE —Accessories

安装导轨 DIN Rail



P/N:TH35-7.5-ST



P/N:TH35-7.5-AL

盖板 Cover P/N: TKC6-T



标示牌 Marking label P/N: MARK6DB-M



桥接件 Plug-in bridge P/N:/

终端固定器 End clamp



P/N: ETNS01



P/N: ETNS03



P/N: ETNS02