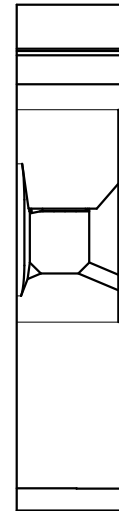
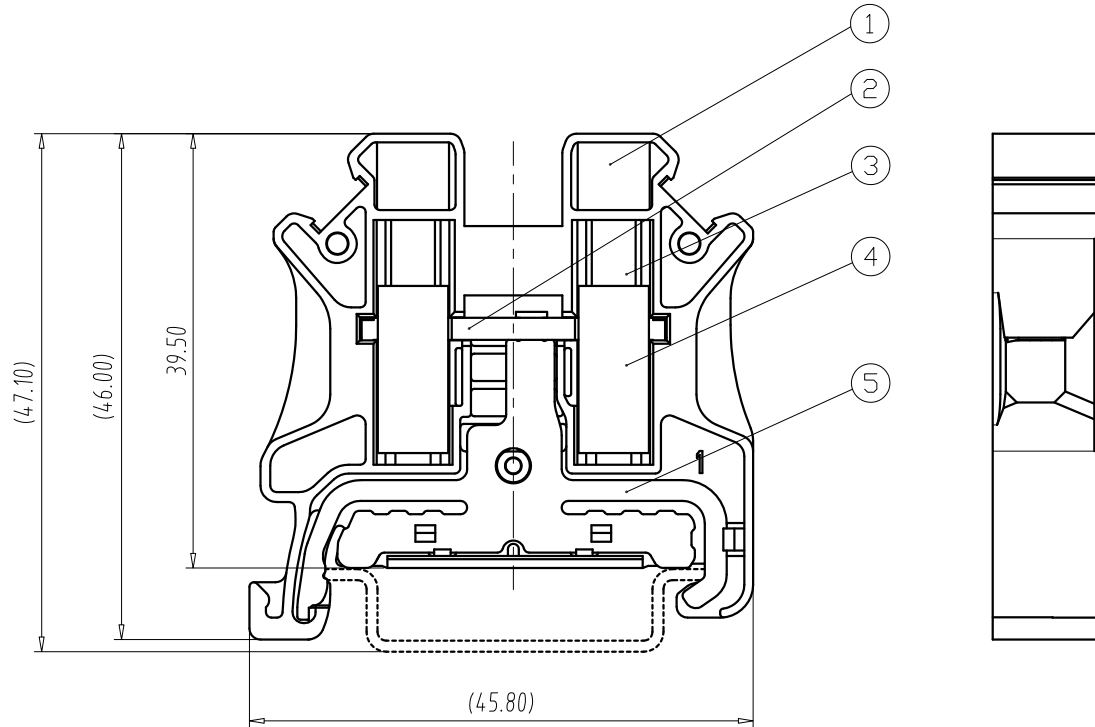
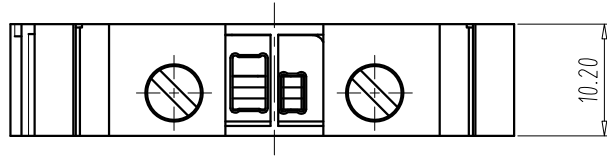


REV	E.C.N NO.	CONTENT	CHK	DATE
V1.0		ORIGINAL	ZX	2024.01.11



NOTES:

- IEC:
  - Rate Impulse Voltage:8000V;
  - Insulation Resistance:500MΩ or more at DC500V;
  - Contact Resistance: ≤5mΩ
  - Material Group: I;
  - Pollution Degree:3;
  - Overvoltage Category:III;
  - Suitable Electric Wire:0.5mm<sup>2</sup>~10mm<sup>2</sup>&16mm<sup>2</sup> (SOL)
- UL:
  - Rating:600V;
  - Suitable Electric Wire:20AWG~6AWG
- Using Temperature Range:-40℃~+115℃;
- Screw Torque Value:1.2N·m
- Strip length:10.0mm
- RoHS compliance;

TK10-PE(S)

Slot screw

5	GROUNDING	1	H-Copper Alloy	Tin Plated
4	BLOCK	2	Copper Alloy	M4/Ni Plated
3	SCREW	2	STEEL	M4/Zn Plated
2	CURRENT CARRIER	1	Copper Alloy	Tin Plated
1	HOUSING	1	PA66	Yellow +Green UL94V-0
ITEM	NAME OF PART	Q'TY	MATERIAL	NOTE

Total Pitch Tolerances in mm										Nominal dimension range in mm									
over	over	over	over	over	over	over	over	over	over	over	over	over	over	over	over	over	over	over	over
0	30	53	70	90	115	150	200	250	300	0	30	53	70	90	115	150	200	250	320
to	to	to	to	to	to	to	to	to	to	to	to	to	to	to	to	to	to	to	to
30	53	70	90	115	150	200	250	320		30	53	70	90	115	150	200	250	320	
±0.20	±0.25	±0.3	±0.35	±0.44	±0.55	±0.70	±0.85	±1.00	±0.25	±0.30	±0.35	±0.44	±0.55	±0.70	±0.80	±0.90	±1.20		

DWG.	ZY	DATE	2021.01.13	UNITS	MM	SHEET/OF	1/1				
CHK.		DATE		SCALE	15:1	A4					
APP.		DATE		<table border="1"> <tr> <td>NAME</td> <td>TK10-PE(S)</td> </tr> <tr> <td>DWGNO.</td> <td>TLDW-TK10PES</td> </tr> </table>				NAME	TK10-PE(S)	DWGNO.	TLDW-TK10PES
NAME	TK10-PE(S)										
DWGNO.	TLDW-TK10PES										
TIANLI ELECTRICAL MACHINERY(NINGBO)CO.,LTD.											