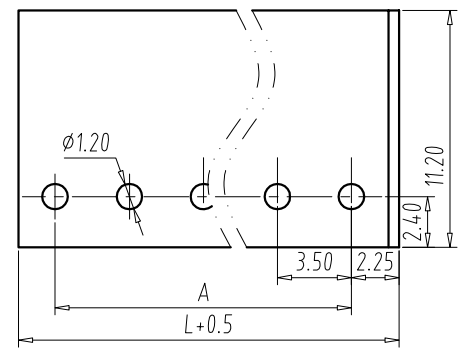
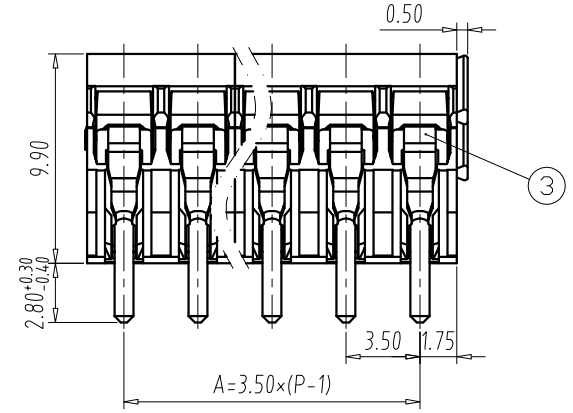
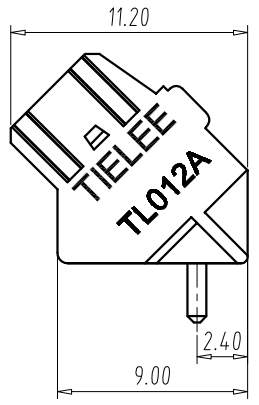
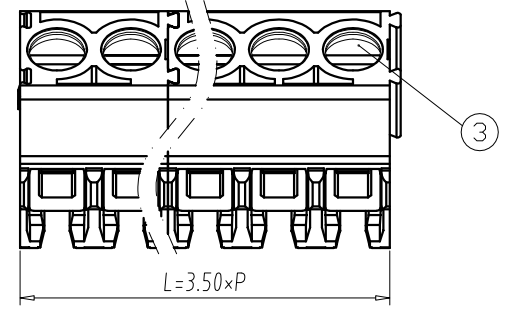


FILE: TL\TL012A\TL012A-XXP-XS

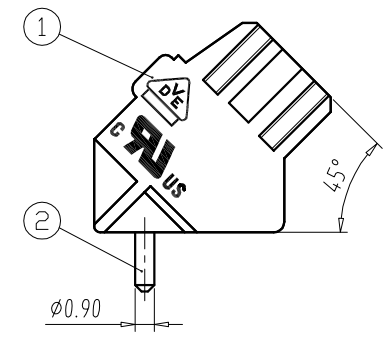
REV	E.C.N NO.	CONTENT	CHK	DATE
V0.1	S2307003	Update the drawing	GJJ	2023.07.08



**PCB LAYOUT**  
S=3:1



- NOTES:**
- UL:  
Rating:300V, 10A;  
Insulation Withstands Voltage:AC1600V/MIN;  
Suitable Electric Wire:26AWG~16AWG
  - IEC:  
Rating:160V, 17.5A;  
Rate Impulse Voltage:2500V;  
Insulation Resistance:500MΩ or more at DC500V;  
Contact Resistance: ≤5mΩ  
Material Group: I;  
Pollution Degree:2;  
Overvoltage Category:III;  
Suitable Electric Wire:0.2mm<sup>2</sup>~1.5mm<sup>2</sup>
  - Using Temperature Range:-40℃~+115℃;
  - Screw Torque Value:0.2N·m
  - Strip length:5.0~6.0mm
  - RoHS compliance;



DIM	P	2	3	4	5	6	7	8	9	10	11	12	
L	7	10.5	14	17.5	21	24.5	28	31.5	35	38.5	42		
A	3.5	7	10.5	14	17.5	21	24.5	28	31.5	35	38.5		
DIM	P	13	14	15	16	17	18	19	20	21	22	23	24
L	45.5	49	52.5	56	59.5	63	66.5	70	73.5	77	80.5	84	
A	42	45.5	49	52.5	56	59.5	63	66.5	70	73.5	77	80.5	

Total Pitch Tolerances in mm												Nominal dimension range in mm														
over	over	over	over	over	over	over	over	over	over	over	over	over	over	over	over	over	over	over	over	over	over					
0	30	53	70	90	115	150	200	250	0	30	53	70	90	115	150	200	250	0	30	53	70	90	115	150	200	250
to	to	to	to	to	to	to	to	to	to	to	to	to	to	to	to	to	to	to	to	to	to	to	to	to	to	to
30	53	70	90	115	150	200	250	320	30	53	70	90	115	150	200	250	320	30	53	70	90	115	150	200	250	320
±0.20	±0.25	±0.3	±0.35	±0.44	±0.55	±0.70	±0.85	±1.00	±0.25	±0.30	±0.35	±0.44	±0.55	±0.70	±0.80	±0.90	±1.20									

4	SCREW	P	STEEL	M2/Zn Plated
3	SPRING	P	STAINLESS	/
2	SOLDER PIN	P	COPPER ALLOY	Tin Plated
1	HOUSING	1	PA66	UL94V-0
ITEM	NAME OF PART	Q'TY	MATERIAL	NOTE

DWG.	SK	DATE	2021.08.03	UNITS	MM	SHEET/OF	1/1
CHK.		DATE		SCALE	4:1	A4	
APP.		DATE		NAME TL012A-XXP-XS			
				ELECTRICAL MACHINERY (NINGBO) CO., LTD.			
				DWGNO.	TLDW-TL012AXXPXS		