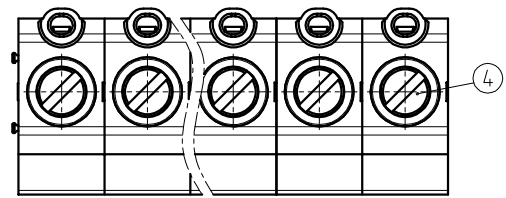
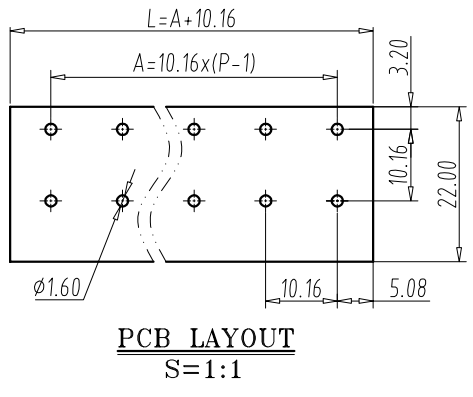
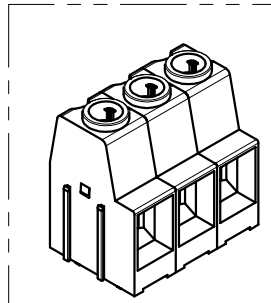
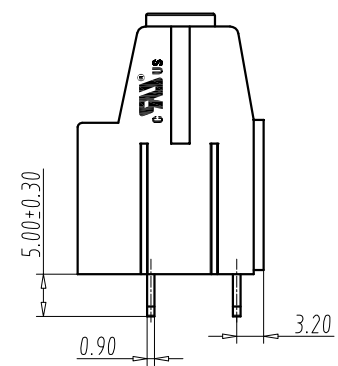
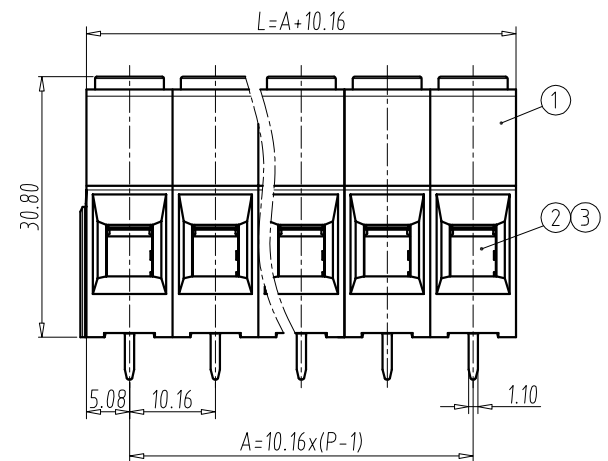
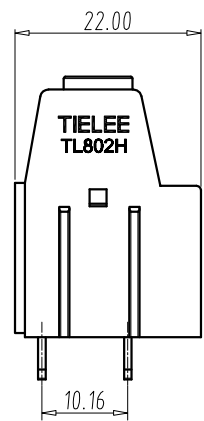


FILE: TL802H-XXP-XS

REV	E.C.N NO.	CONTENT	CHK	DATE
V1.0		ORIGINAL	CZM	2021.11.17



- NOTES:**
- UL:
 - Rating:300V, 65A
 - Insulation Withstands Voltage:AC2000V/MIN
 - Suitable Electric Wire:20AWG~6AWG
 - Using Temperature Range:-40℃~+115℃
 - IEC:
 - Rating:630V, 76A
 - Rate Impulse Voltage:6000V
 - Insulation Resistance:500MΩ or more at DC500V
 - Contact Resistance:≤5mΩ
 - Material Group: I , Pollution Degree:2
 - Overvoltage Category:III
 - Suitable Electric Wire:0.5mm²~16mm²
 - Using Temperature Range:-40℃~+115℃
 - Screw Torque Value:1.8N·m
 - Strip length:10~11mm
 - RoHS compliance



DIM	P	01	02	03	04	05	06	07	08
L		10.16	20.32	30.48	40.64	50.80	60.96	71.12	81.28
A		0	10.16	20.32	30.48	40.64	50.80	60.96	71.12
DIM	P	09	10	11	12	13	14	15	16
L		91.44	101.60	111.76	121.92	132.08	142.24	152.40	162.56
A		81.28	91.44	101.60	111.76	121.92	132.08	142.24	152.40

4	SCREW	P	STEEL	M4/Zn Plated
3	BLOCK	P	COPPER ALLOY	Ni Plated
2	SOLDER PIN	P	COPPER ALLOY	Tin Plated
1	HOUSING	P	PA66	UL94V-0
ITEM	NAME OF PART	Q'TY	MATERIAL	NOTE

Total Pitch Tolerances in mm								Nominal dimension range in mm								
over	over	over	over	over	over	over	over	over	over	over	over	over	over	over	over	
0	30	53	70	90	115	150	200	0	30	53	70	90	115	150	200	
to	to	to	to	to	to	to	to	to	to	to	to	to	to	to	to	
30	53	70	90	115	150	200	320	30	53	70	90	115	150	200	250	320
±0.20	±0.25	±0.3	±0.35	±0.44	±0.55	±0.70	±1.00	±0.25	±0.30	±0.35	±0.44	±0.55	±0.70	±0.80	±0.90	±1.20

DWG.	ZHT	DATE	2021.03.20	UNITS	MM	SHEET/OF	1/1
CHK.		DATE		SCALE	12:1	A4	
APP.		DATE		NAME TL802H-XXP-XS			
TIANLI ELECTRICAL MACHINERY (NINGBO) CO., LTD.				DWGNO.	TLDW-TL802HXXPXS		