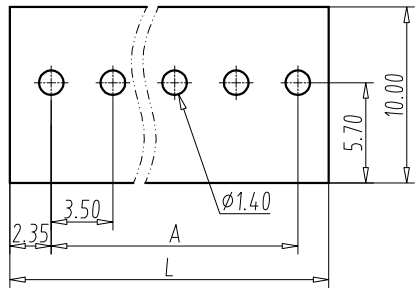
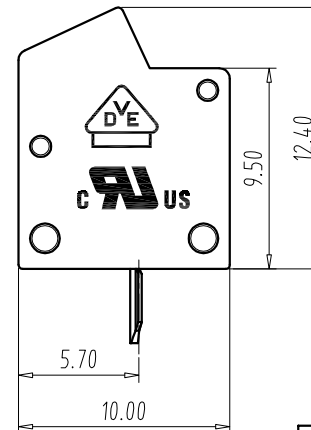
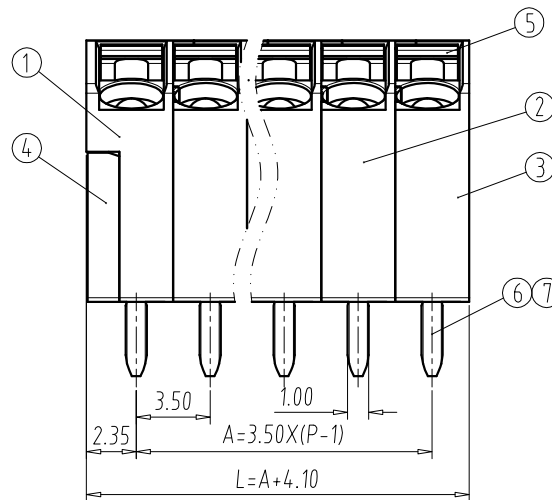
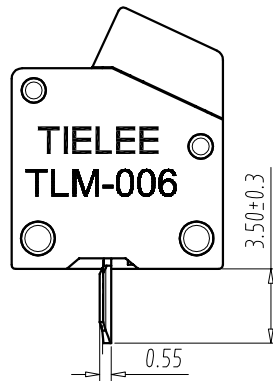
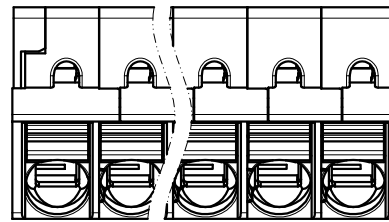


FILE: TLM\006\TLM-006-3.50-XXP-X

REV	E.C.N NO.	CONTENT	CHK	DATE
V1.0		ORIGINAL	YHZ	2023.08.26



PCB LAYOUT
S=2.5:1



NOTES:

- UL:
Rating:300V, 10A;
Insulation Withstands Voltage:AC1600V/MIN;
Suitable Electric Wire:26~16AWG
- IEC:
Rating:160V, 17.5A;
Rate Impulse Voltage:2500V;
Insulation Resistance:500MΩ or more at DC500V;
Contact Resistance: ≤5mΩ
Material Group:I;
Pollution Degree:2;
Overvoltage Category:III;
Suitable Electric Wire:0.2~1.5mm²
- Using Temperature Range:-40℃~+115℃;
- Strip length:8.0~9.0mm
- RoHS compliance;

DIM	P	2	3	4	5	6	7	8	9	10	11	12	
L		7.6	11.1	14.6	18.1	21.6	25.1	28.6	32.1	35.6	39.1	42.6	
A		3.5	7.0	10.5	14.0	17.5	21.0	24.5	28.0	31.5	35.0	38.5	
DIM	P	13	14	15	16	17	18	19	20	21	22	23	24
L		46.1	49.6	53.1	56.6	60.1	63.6	67.1	70.6	74.1	77.6	81.1	84.6
A		4.2.0	4.5.5	4.9.0	5.2.5	5.6.0	5.9.5	6.3.0	6.6.5	7.0.0	7.3.5	7.7.0	8.0.5

Total Pitch Tolerances in mm												Nominal dimension range in mm											
over	over	over	over	over	over	over	over	over	over	over	over	over	over	over	over	over	over	over	over	over	over		
0	30	53	70	90	115	150	200	250	0	30	53	70	90	115	150	200	250	0	30	53	70		
to	to	to	to	to	to	to	to	to	to	to	to	to	to	to	to	to	to	to	to	to	to		
30	53	70	90	115	150	200	250	320	30	53	70	90	115	150	200	250	320						
±0.20	±0.25	±0.3	±0.35	±0.44	±0.55	±0.70	±0.85	±1.00	±0.25	±0.30	±0.35	±0.44	±0.55	±0.70	±0.80	±0.90	±1.20						

7	SOLDER PIN	P	H-Copper Alloy	Tin PLATED
6	SPRING	P	Stainless	/
5	LEVER	P	PA66	UL94 V-0
4	COVER	1	PA66	UL94 V-0
3	End Housing	1	PA66	UL94 V-0
2	Middle Housing	P-2	PA66	UL94 V-0
1	Start Housing	1	PA66	UL94 V-0
ITEM	NAME OF PART	Q'TY	MATERIAL	NOTE

DWG.	YHZ	DATE	2020.11.04	UNITS	MM	SHEET/OF	1/1
CHK.		DATE		SCALE	3:1	A4	
APP.		DATE		NAME TLM-006-3.50-XXP-X			
 TIANLI ELECTRICAL MACHINERY (NINGBO) CO., LTD.				DWGNO	TLDW-TLM0063.50XXPX		