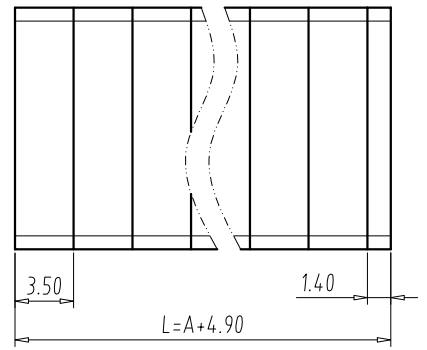
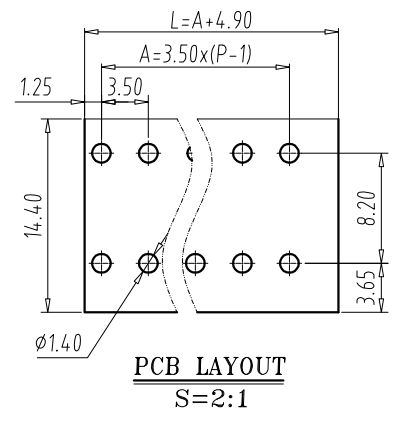
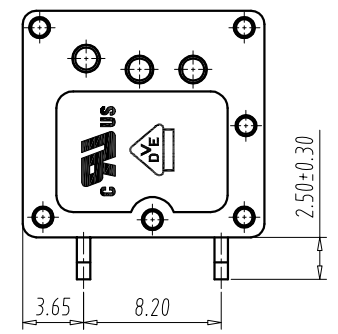
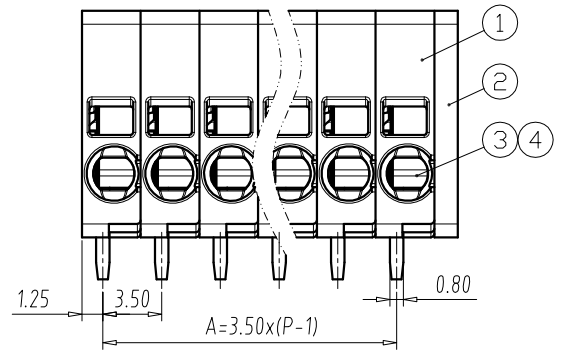
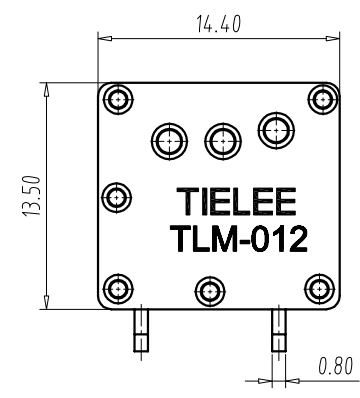


FILE: \_\_\_\_\_

| REV  | E.C.N NO. | CONTENT  | CHK | DATE       |
|------|-----------|----------|-----|------------|
| V1.0 |           | ORIGINAL | ZX  | 2023.10.19 |



- NOTES:**
- UL:  
Rating:300V, 10A  
Insulation Withstands Voltage:AC1600V/MIN  
Suitable Electric Wire:26AWG~16AWG
  - IEC:  
Rating:160V, 17.5A  
Rate Impulse Voltage:2500V  
Insulation Resistance:500MΩ or more at DC500V  
Contact Resistance: ≤5mΩ  
Material Group: I  
Pollution Degree:2  
Overvoltage Category:III  
Suitable Electric Wire:0.2mm²~1.5mm²
  - Using Temperature Range:-40℃~+115℃
  - Strip length:10mm
  - RoHS compliance



| DIM                          | P    | 1     | 2     | 3    | 4     | 5                             | 6     | 7     | 8     | 9     | 10    | 11    | 12    |       |       |       |       |
|------------------------------|------|-------|-------|------|-------|-------------------------------|-------|-------|-------|-------|-------|-------|-------|-------|-------|-------|-------|
|                              |      | L     | 4.9   | 8.4  | 11.9  | 15.4                          | 18.9  | 22.4  | 25.9  | 29.4  | 32.9  | 36.4  | 39.9  | 43.4  |       |       |       |
| A                            |      | /     | 3.5   | 7    | 10.5  | 14                            | 17.5  | 21    | 24.5  | 28    | 31.5  | 35    | 38.5  |       |       |       |       |
| DIM                          | P    | 13    | 14    | 15   | 16    | 17                            | 18    | 19    | 20    | 21    | 22    | 23    | 24    |       |       |       |       |
|                              |      | L     | 46.9  | 50.4 | 53.9  | 57.4                          | 60.9  | 64.4  | 67.9  | 71.4  | 74.9  | 78.4  | 81.9  | 85.4  |       |       |       |
| A                            |      | 42    | 45.5  | 49   | 52.5  | 56                            | 59.5  | 63    | 66.5  | 70    | 73.5  | 77    | 80.5  |       |       |       |       |
| Total Pitch Tolerances in mm |      |       |       |      |       | Nominal dimension range in mm |       |       |       |       |       |       |       |       |       |       |       |
| over                         | over | over  | over  | over | over  | over                          | over  | over  | over  | over  | over  | over  | over  |       |       |       |       |
| 0                            | 30   | 53    | 70    | 90   | 115   | 150                           | 200   | 250   | 0     | 30    | 53    | 70    | 90    |       |       |       |       |
| to                           | to   | to    | to    | to   | to    | to                            | to    | to    | to    | to    | to    | to    | to    |       |       |       |       |
| 30                           | 53   | 70    | 90    | 115  | 150   | 200                           | 250   | 320   | 30    | 53    | 70    | 90    | 115   |       |       |       |       |
|                              |      | ±0.20 | ±0.25 | ±0.3 | ±0.35 | ±0.44                         | ±0.55 | ±0.70 | ±0.25 | ±0.30 | ±0.35 | ±0.44 | ±0.55 | ±0.70 | ±0.80 | ±0.90 | ±1.20 |

| 4    | SPRING COIL  | P    | Stainless Steel | /          |
|------|--------------|------|-----------------|------------|
| 3    | SOLDER PIN   | P    | Copper Alloy    | Tin Plated |
| 2    | COVER        | 1    | PA66            | UL94V-0    |
| 1    | HOUSING      | P    | PA66            | UL94V-0    |
| ITEM | NAME OF PART | Q'TY | MATERIAL        | NOTE       |

|  |     |      |            |                            |                  |          |     |
|--|-----|------|------------|----------------------------|------------------|----------|-----|
| DWG.                                     | ZHT | DATE | 2021.03.25 | UNITS                      | MM               | SHEET/OF | 1/1 |
| CHK.                                     |     | DATE |            | SCALE                      | 2.5 : 1          | A4       |     |
| APP.                                     |     | DATE |            | NAME <b>TLM-012R-XXP-X</b> |                  |          |     |
| <br>ELECTRICAL MACHINERY(NINGBO)CO.,LTD. |     |      |            | DWGNO                      | TLDW-TLM012RXXPX |          |     |