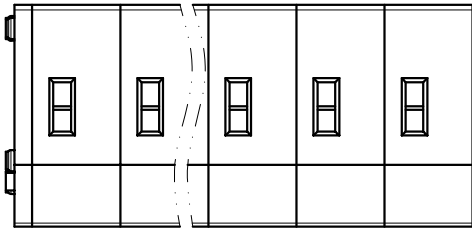
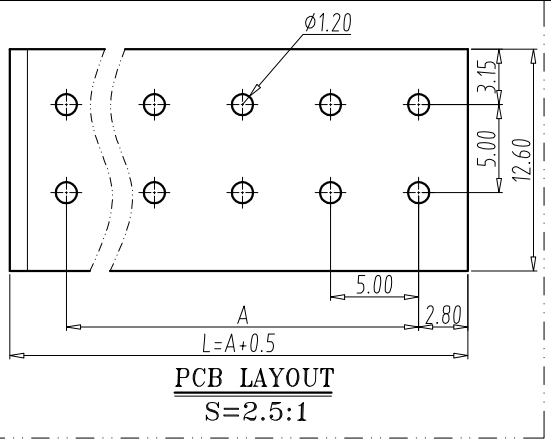
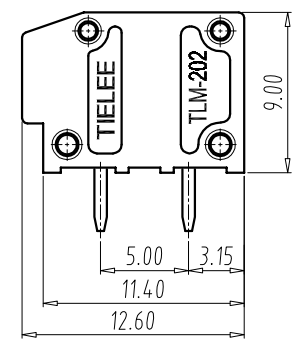
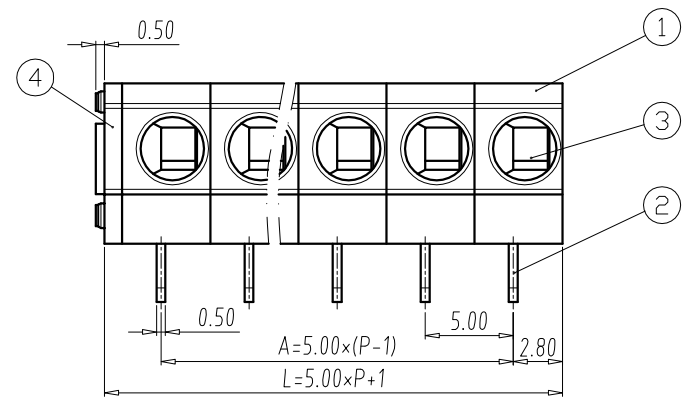
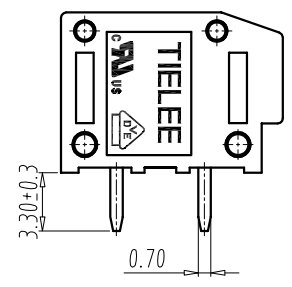


FILE: TLM\202\TLM-202R-XXP-X

| REV | E.C.N NO | CONTENT | CHK | DATE |
|------|----------|-------------------|-----|------------|
| V2.0 | S2204002 | Update parameters | CFJ | 2022.03.09 |



- NOTES:**
- UL:
 - Rating:300V, 10A
 - Insulation Withstands Voltage:AC1600V/MIN
 - Suitable Electric Wire:20AWG~14AWG
 - Using Temperature Range:-40℃~+105℃
 - IEC:
 - Rating:320V, 24A
 - Rate Impulse Voltage:4000V
 - Insulation Resistance:500MΩ or more at DC500V
 - Contact Resistance: ≤5mΩ
 - Material Group: I
 - Pollution Degree:2
 - Overvoltage Category:III
 - Suitable Electric Wire:0.2mm²~1.5mm²
 - Using Temperature Range:-40℃~+120℃
 - Strip length:9.0mm~10.0mm
 - RoHS compliance



| DIM \ P | 2 | 3 | 4 | 5 | 6 | 7 | 8 | 9 | 10 | 11 | 12 | |
|---------|----|----|----|----|----|----|----|-----|-----|-----|-----|-----|
| L | 11 | 16 | 21 | 26 | 31 | 36 | 41 | 46 | 51 | 56 | 61 | |
| A | 5 | 10 | 15 | 20 | 25 | 30 | 35 | 40 | 45 | 50 | 55 | |
| DIM \ P | 13 | 14 | 15 | 16 | 17 | 18 | 19 | 20 | 21 | 22 | 23 | 24 |
| L | 66 | 71 | 76 | 81 | 86 | 91 | 96 | 101 | 106 | 111 | 116 | 121 |
| A | 60 | 65 | 70 | 75 | 80 | 85 | 90 | 95 | 100 | 105 | 110 | 115 |

| 4 | COVER | 1 | PA66 | UL94 V-0 |
|------|--------------|------|--------------|------------|
| 3 | SPRING | P | STAINLESS | / |
| 2 | SOLDER PIN | P | Copper Alloy | Tin Plated |
| 1 | HOUSING | 1 | PA66 | UL94 V-0 |
| ITEM | NAME OF PART | Q'TY | MATERIAL | NOTE |

| Total Pitch Tolerances in mm | | | | | | | | | | Nominal dimension range in mm | | | | | | | | | |
|------------------------------|---------|---------|---------|---------|----------|----------|----------|----------|----------|-------------------------------|---------|---------|---------|---------|----------|----------|----------|----------|----------|
| over 0 | over 30 | over 53 | over 70 | over 90 | over 115 | over 150 | over 200 | over 250 | over 320 | over 0 | over 30 | over 53 | over 70 | over 90 | over 115 | over 150 | over 200 | over 250 | over 320 |
| to 30 | to 53 | to 70 | to 90 | to 115 | to 150 | to 200 | to 250 | to 320 | | to 30 | to 53 | to 70 | to 90 | to 115 | to 150 | to 200 | to 250 | to 320 | |
| ±0.20 | ±0.25 | ±0.30 | ±0.35 | ±0.44 | ±0.55 | ±0.70 | ±0.85 | ±1.00 | | ±0.25 | ±0.30 | ±0.35 | ±0.44 | ±0.55 | ±0.70 | ±0.80 | ±0.90 | ±1.20 | |

| | | | | | | | |
|--|----|------|------------|----------------------------|------------------|----------|-----|
| DWG | CZ | DATE | 2021.02.04 | UNITS | MM | SHEET/OF | 1/1 |
| CHK. | | DATE | | SCALE | 2.5 : 1 | A4 | |
| APP | | DATE | | NAME TLM-202R-XXP-X | | | |
| TIANLI ELECTRICAL MACHINERY(NINGBO)CO.,LTD. | | | | DWGNO | TLDW-TLM202RXXPX | | |