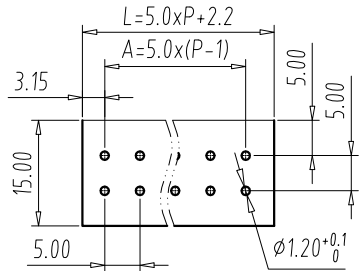


FILE: TLM-203B-5.0-XXP-X

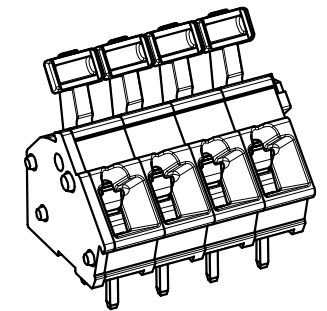
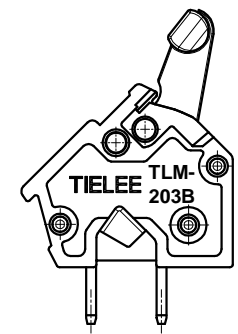
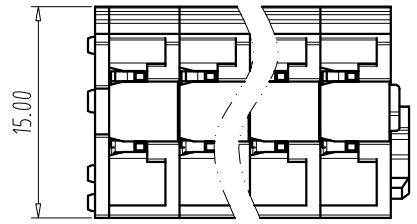
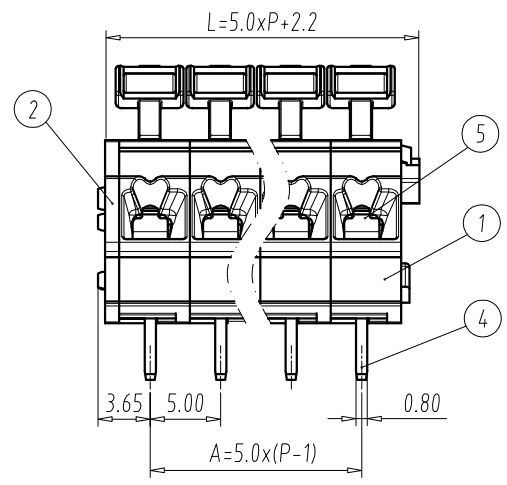
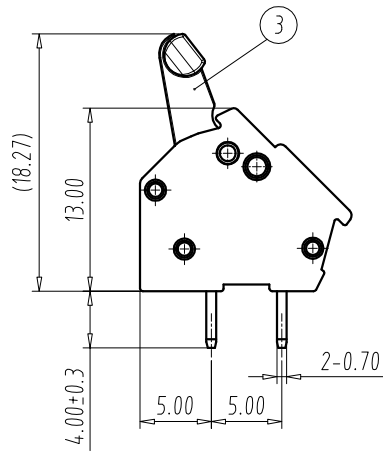
REV	E.C.N NO.	CONTENT	CHK	DATE
V2.0	S2304002	Add 01P pole	ZZW	2023.04.06



PCB LAYOUT  
S=1:1

NOTES:

- UL:
  - Rating:300V, 15A;
  - Insulation Withstands Voltage:AC1600V/MIN;
  - Suitable Electric Wire:28AWG~12AWG
  - Using Temperature Range:-40℃~+105℃;
- IEC:
  - Rating:320V, 24A;
  - Rate Impulse Voltage:4000V;
  - Insulation Resistance:  
500MΩ or more at DC500V;
  - Contact Resistance: ≤5mΩ
  - Material Group: I ;
  - Pollution Degree:2;
  - Overvoltage Category:III;
  - Suitable Electric Wire:0.34mm<sup>2</sup>~2.5mm<sup>2</sup>
- Using Temperature Range:-40℃~+115℃;
- Strip length:5~6mm
- RoHS compliance;



DIM	P	1	2	3	4	5	6	7	8	9	10	11	12
L		7.2	12.2	17.2	22.2	27.2	32.2	37.2	42.2	47.2	52.2	57.2	62.2
A		/	5	10	15	20	25	30	35	40	45	50	55
DIM	P	13	14	15	16	17	18	19	20	21	22	23	24
L		67.2	72.2	77.2	82.2	87.2	92.2	97.2	102.2	107.2	112.2	117.2	122.2
A		60	65	70	75	80	85	90	95	100	105	110	115
Total Pitch Tolerances in mm						Nominal dimension range in mm							
over	over	over	over	over	over	over	over	over	over	over	over	over	over
0	30	53	70	90	115	150	200	250	0	30	53	70	90
to	to	to	to	to	to	to	to	to	to	to	to	to	to
30	53	70	90	115	150	200	250	320	30	53	70	90	115
±0.20	±0.25	±0.3	±0.35	±0.4	±0.55	±0.70	±0.85	±1.00	±0.25	±0.30	±0.35	±0.44	±0.55
									±0.70	±0.80	±0.90	±1.20	

5	SPRING COIL	P	Stainless	/
4	SOLDER PIN	P	Copper Alloy	Tin Plated
3	LEVER	P	PA66+GF	UL94-V0
2	COVER	1	PA66	UL94-V0
1	HOUSING	P	PA66	UL94-V0
ITEM	NAME OF PART	Q'TY	MATERIAL	NOTE

DWG.	ZZW	DATE	2021.08.16	UNITS	MM	SHEET/OF	1/1
CHK.		DATE		SCALE	2:1	A4	
APP.		DATE		NAME <b>TLM-203B-5.0-XXP-X</b>			
TIANLI ELECTRICAL MACHINERY(NINGBO)CO.,LTD.				DWGNO	TLDW-TLM203B50XXPX		