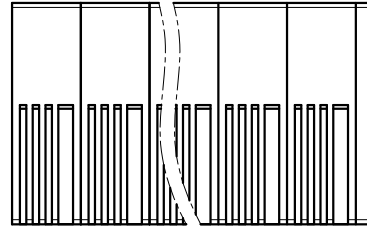
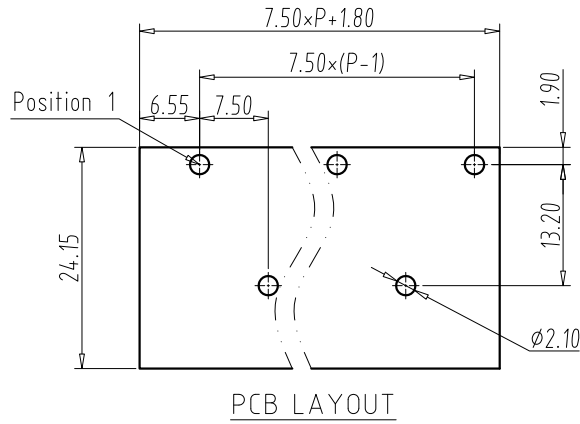


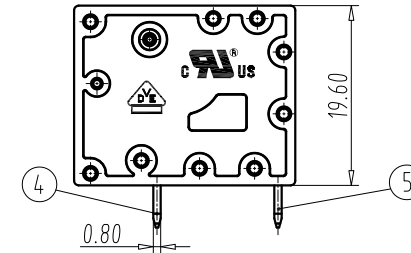
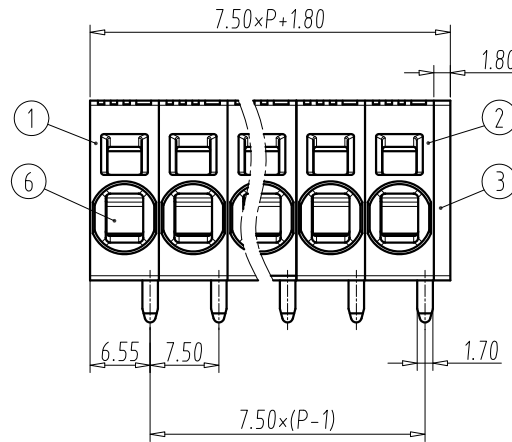
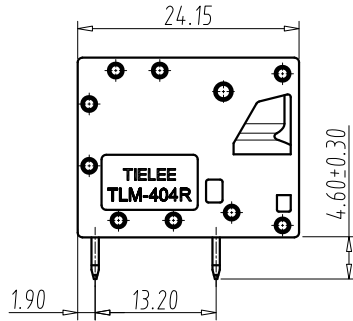
FILE: TLM-404RA-XXP-X

REV	E.C.N NO.	CONTENT	CHK	DATE
V1.0		ORIGINAL	ZX	2024.10.23



NOTES:

- UL:
 - Rating:600V, 36A
 - Insulation Withstands Voltage:AC2200V/MIN
 - Suitable Electric Wire:24AWG~8AWG
 - Using Temperature Range:-40℃~+115℃
- IEC:
 - Rating:1000V, 41A
 - Rate Impulse Voltage:6000V
 - Insulation Resistance:500MΩ or more at DC500V
 - Contact Resistance: ≤5mΩ
 - Material Group: I, Pollution Degree: 2
 - Overvoltage Category: III
 - Suitable Electric Wire:0.2mm²~6mm²/10mm² (Sol)
- Using Temperature Range:-40℃~+115℃
- Strip length:15mm
- RoHS compliance



DIM	P	01	02	03	04	05	06	07	08
L	/	16.80	24.30	31.80	39.30	46.80	54.30	61.80	
A	/	7.50	15.00	22.50	30.00	37.50	45.00	52.50	
DIM	P	09	10	11	12	13	14	15	16
L		69.30	76.80	84.30	91.80	99.30	114.3	121.8	129.3
A		60.00	67.50	75.00	82.50	90.00	105.0	112.5	120.0

Total Pitch Tolerances in mm										Nominal dimension range in mm									
over	over	over	over	over	over	over	over	over	over	over	over	over	over	over	over	over	over	over	over
0	30	53	70	90	115	150	200	250	300	0	30	53	70	90	115	150	200	250	320
to	to	to	to	to	to	to	to	to	to	to	to	to	to	to	to	to	to	to	to
30	53	70	90	115	150	200	250	300	320	30	53	70	90	115	150	200	250	320	320
±0.20	±0.25	±0.3	±0.35	±0.44	±0.55	±0.70	±0.85	±1.00	±0.25	±0.30	±0.35	±0.44	±0.55	±0.70	±0.80	±0.90	±1.00	±1.20	±1.20

6	SPRING COIL	P	STAINLESS STEEL	/
5	SOLDER PIN-2	(P+1)/2 or P/2	Copper Alloy	Tin Plated
4	SOLDER PIN-1	(P-1)/2 or P/2	Copper Alloy	Tin Plated
3	COVER	1	PA66	UL94V-0
2	HOUSING-2	P-1	PA66	UL94V-0
1	HOUSING-1	1	PA66	UL94V-0
ITEM	NAME OF PART	Q'TY	MATERIAL	NOTE

DWG.	ZZW	DATE	2020.10.28	UNITS	MM	SHEET/OF	1/1
CHK.		DATE		SCALE	1:25	A4	
APP.		DATE		NAME	TLM-404RA-XXP-X		
				DWGNO.	TLDW-TLM404RAXPX		

TIANLI
ELECTRICAL MACHINERY(NINGBO)CO.,LTD.