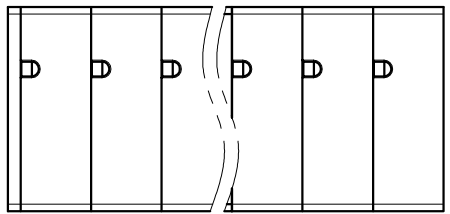
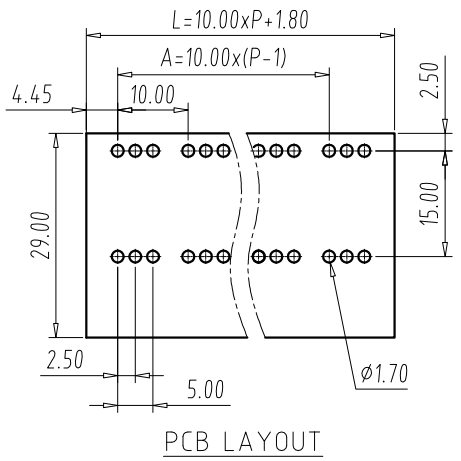


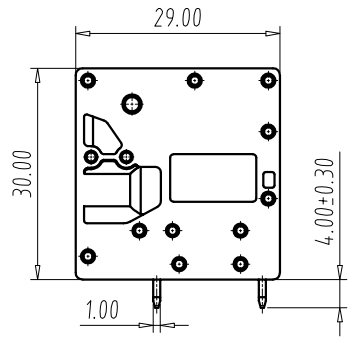
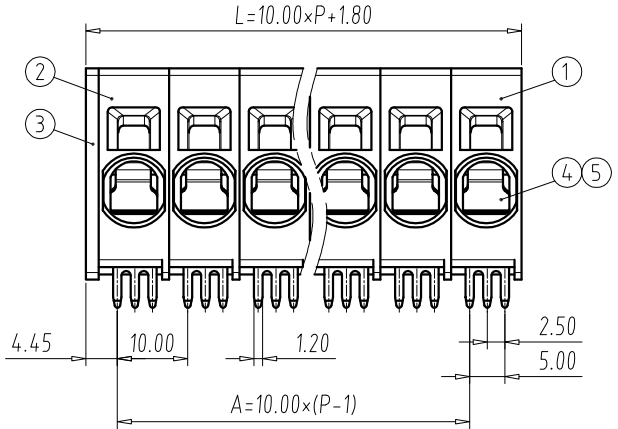
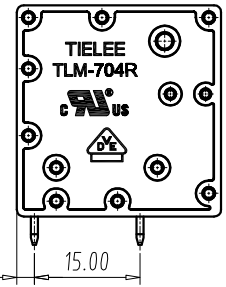
FILE: _____

REV	E.C.N NO.	CONTENT	CHK	DATE
V1.0	S2408008	Add VDE LOGO	GJW	2024.08.30



NOTES:

- UL:
 - Rating:300V, 70A
 - Insulation Withstands Voltage:AC1600V/MIN
 - Suitable Electric Wire:20AWG~4AWG
- IEC:
 - Rating:1000V (01P), 320V ($\geq 02P$), 76A
 - Rate Impulse Voltage:8000V (01P), 4000V ($\geq 02P$)
 - Insulation Resistance:500M Ω or more at DC500V
 - Contact Resistance: $\leq 5m\Omega$
 - Material Group: I, Pollution Degree:2
 - Overvoltage Category:III
 - Suitable Electric Wire:0.75~16mm²
- Using Temperature Range:-40 $^{\circ}C$ ~+115 $^{\circ}C$
- Strip length:18mm
- RoHS compliance



DIM \ P	01	02	03	04	05	06
L	11.80	21.80	31.80	41.80	51.80	61.80
A	/	10.00	20.00	30.00	40.00	50.00
DIM \ P	07	08	09	10	11	12
L	71.80	81.80	91.80	101.8	111.8	121.8
A	60.00	70.00	80.00	90.00	100.0	110.0

Total Pitch Tolerances in mm								Nominal dimension range in mm							
over	over	over	over	over	over	over	over	over	over	over	over	over	over	over	over
0	30	53	70	90	115	150	200	0	30	53	70	90	115	150	200
to	to	to	to	to	to	to	to	to	to	to	to	to	to	to	to
30	53	70	90	115	150	200	320	30	53	70	90	115	150	200	250
±0.20	±0.25	±0.3	±0.35	±0.44	±0.55	±0.70	±1.00	±0.25	±0.30	±0.35	±0.44	±0.55	±0.70	±0.80	±1.20

5	SPRING COIL	P	STAINLESS STEEL	/
4	SOLDER PIN	P	COPPER ALLOY	Sn Plated
3	COVER	1	PA66	UL94V-0
2	HOUSING-2	P-1	PA66	UL94V-0
1	HOUSING-1	1	PA66	UL94V-0
ITEM	NAME OF PART	Q'TY	MATERIAL	NOTE

DWG.	ZHT	DATE	2021.03.24	UNITS	MM	SHEET/OF	1/1
CHK.		DATE		SCALE	1:1	A4	
APP.		DATE		NAME TLM-704R-XXP-X			
TIANLI ELECTRICAL MACHINERY(NINGBO)CO.,LTD.				DWGNO	TLDW-TLM704RXXPX		