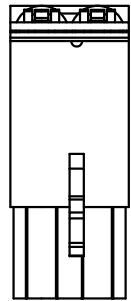


FILE: TLP\302\TLPS-302RL-XXP-X

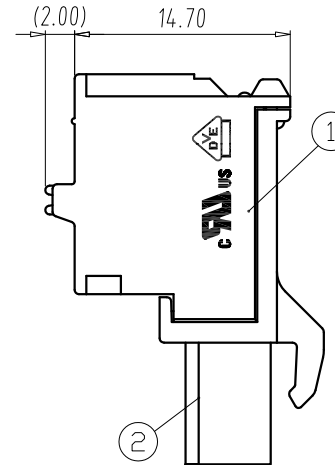
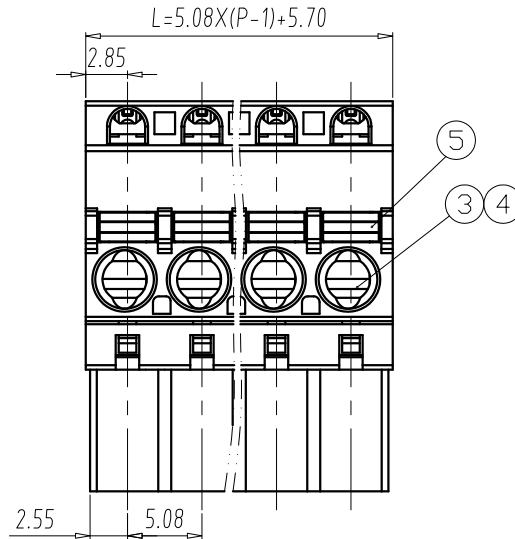
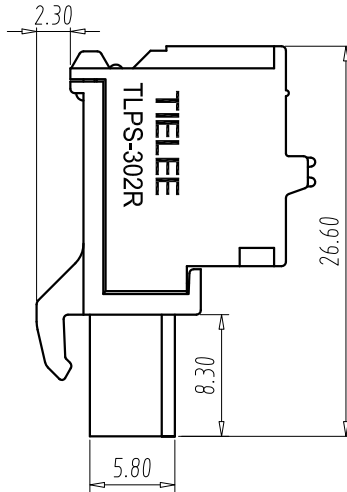
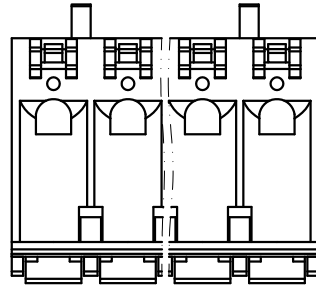
REV	E.C.N NO.	CONTENT	CHK	DATE
V2.0	S2401007	Change size parameter table	SZ	2024.01.17

NOTES:

- UL:
  - Rating: 300V, 12A;
  - Insulation Withstands Voltage: AC1600V/MIN;
  - Suitable Electric Wire: 26AWG~12AWG
- IEC:
  - Rating: 630V, 15A;
  - Rate Impulse Voltage: 4000V;
  - Insulation Resistance: 500MΩ or more at DC500V;
  - Contact Resistance: ≤5mΩ
  - Material Group: I;
  - Pollution Degree: 2;
  - Overvoltage Category: II;
  - Suitable Electric Wire: 0.2mm<sup>2</sup>~2.5mm<sup>2</sup>
- Using Temperature Range: -40°C~+115°C;
- Strip length: 9.0~10.0mm
- RoHS compliance;



2P



DIM	P	2	3	4	5	6	7	8	9	10	11	12	13
L		10.78	15.86	20.94	26.02	31.10	36.18	41.26	46.34	51.42	56.50	61.58	66.66

DIM	P	14	15	16	17	18	19	20	21	22	23	24
L		71.74	76.82	81.90	86.98	92.06	97.14	102.22	107.30	112.38	117.46	122.54

Total Pitch Tolerances in mm												Nominal dimension range in mm											
over	over	over	over	over	over	over	over	over	over	over	over	over	over	over	over	over	over	over	over	over	over		
0	30	53	70	90	115	150	200	250	300	350	400	0	30	53	70	90	115	150	200	250	300		
to	to	to	to	to	to	to	to	to	to	to	to	to	to	to	to	to	to	to	to	to	to		
30	53	70	90	115	150	200	250	300	350	400	450	30	53	70	90	115	150	200	250	300	350		
±0.20	±0.25	±0.3	±0.35	±0.44	±0.55	±0.70	±0.85	±1.00	±0.25	±0.30	±0.35	±0.44	±0.55	±0.70	±0.80	±0.90	±1.20						

5	LEVER	P	PBT	UL94-V0
4	SPRING	P	STAINLESS	
3	CLAMP	P	COPPER ALLOY	TIN PLATED
2	COVER	1	PA66	UL94-V0
1	HOUSING	1	PA66	UL94-V0
ITEM	NAME OF PART	Q'TY	MATERIAL	NOTE

DWG.	NJL	DATE	2020.08.28	UNITS	MM	SHEET/OF	1/1
CHK.		DATE		SCALE	2:1	A4	
APP.		DATE		NAME TLPS-302RL-XXP-X			
				TIANLI ELECTRICAL MACHINERY(NINGBO)CO.,LTD.			
				DWGNO. TLDW-TLPS302RLXXPX			