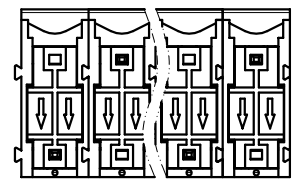
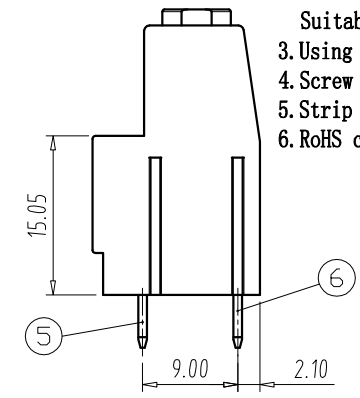
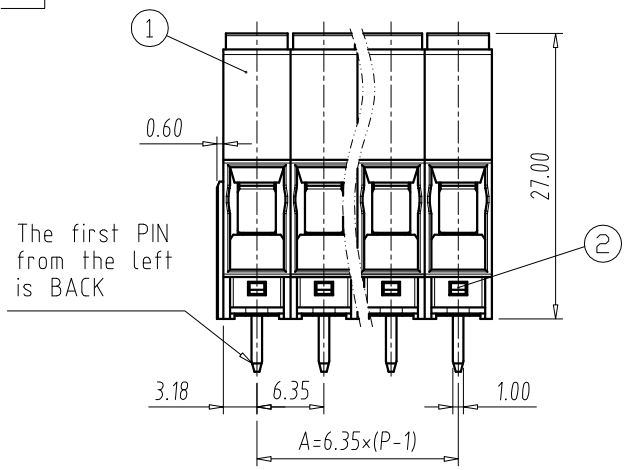
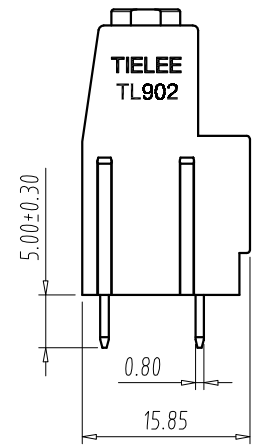
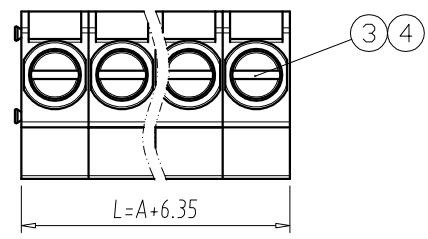
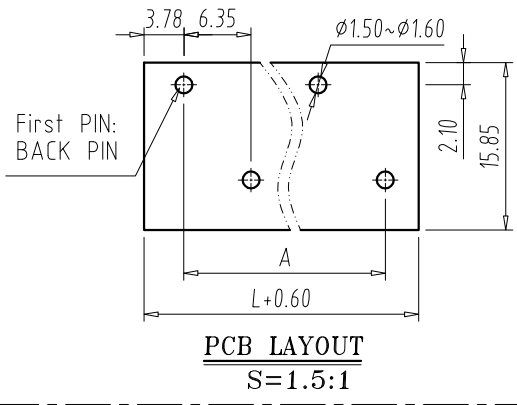


FILE: TL1902\TL902VA-XXP(XS)

REV	E.C.N NO.	CONTENT	CHK	DATE
V0.0		ORIGINAL	GJW	2023.07.06

- NOTES:**
- UL:
 - Rating:600V, 35A
 - Insulation Withstands Voltage:AC2200V/MIN
 - Suitable Electric Wire:24AWG~8AWG
 - IEC:
 - Rating:1000V, 41A
 - Rate Impulse Voltage:8000V
 - Insulation Resistance:500MΩ or more at DC500V
 - Contact Resistance:≤5mΩ
 - Material Group: I
 - Pollution Degree:2
 - Overvoltage Category:III
 - Suitable Electric Wire:0.2mm²~6mm²
 - Using Temperature Range:-40℃~+115℃
 - Screw Torque Value:0.5N·m
 - Strip length:8mm
 - RoHS compliance



DIM	P	2	3	4	5	6	7	8	
L		12.7	19.05	25.4	31.75	38.1	44.45	50.8	
A		6.35	12.7	19.05	25.4	31.75	38.1	44.45	
DIM	P	9	10	11	12	13	14	15	16
L		57.15	63.5	69.85	76.2	82.55	88.9	95.25	101.6
A		50.8	57.15	63.5	69.85	76.2	82.55	88.9	95.25

Total Pitch Tolerances in mm														Nominal dimension range in mm													
over	over	over	over	over	over	over	over	over	over	over	over	over	over	over	over	over	over	over	over	over	over	over	over	over	over		
0	30	53	70	90	115	150	200	250	0	30	53	70	90	115	150	200	250	30	53	70	90	115	150	200	250	320	
±0.20	±0.25	±0.3	±0.35	±0.4	±0.55	±0.70	±0.85	±1.00	±0.25	±0.30	±0.35	±0.4	±0.55	±0.70	±0.80	±0.90	±1.20										

6	BACK.SOLDER.PIN	P/2=Even P+1/2=Odd	Copper Alloy	Tin Plated
5	FRONT.SOLDER.PIN	P/2=Even P-1/2=Odd	Copper Alloy	Tin Plated
4	CAGE	P	STEEL	M3/Zn Plated
3	SCREW	P	STEEL	M3/Zn Plated
2	COVER	P	PA66	UL94 V-0
1	HOUSING	P	PA66	UL94 V-0
ITEM	NAME OF PART	Q'TY	MATERIAL	NOTE

DWG.	GJW	DATE	2023.07.06	UNITS	MM	SHEET/OF	1/1
CHK.		DATE		SCALE	15:1	A4	
APP.		DATE		NAME	TL902VA-XXP(XS)		
				DWGN0	TLDW-TL902VAXXPXS		

