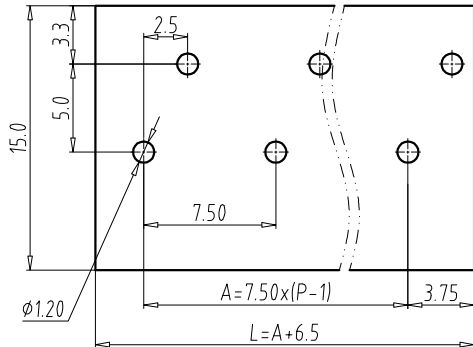
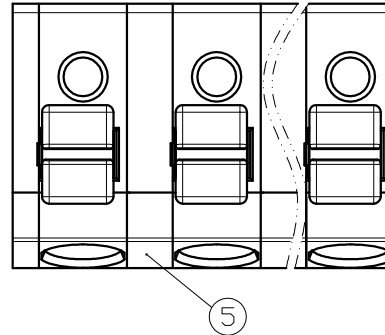


FILE: TLM-213-7.50-XXP-X

REV	E.C.N NO.	CONTENT	CHK	DATE
V1.0		ORIGINAL	ZZW	2023.03.10



PCB LAYOUT
S=2.5:1



NOTES:

1. UL:

Rating:300V, 16A;
Insulation Withstands Voltage:AC1600V/MIN;
Suitable Electric Wire:20AWG~12AWG

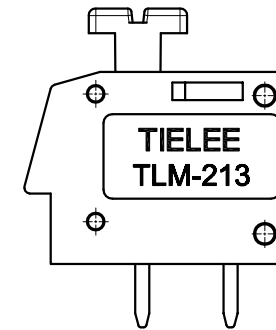
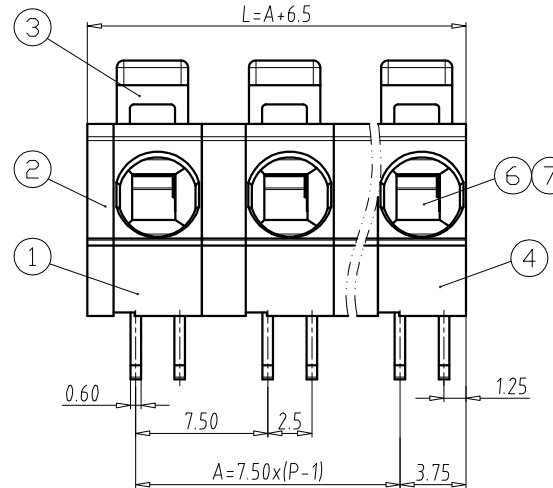
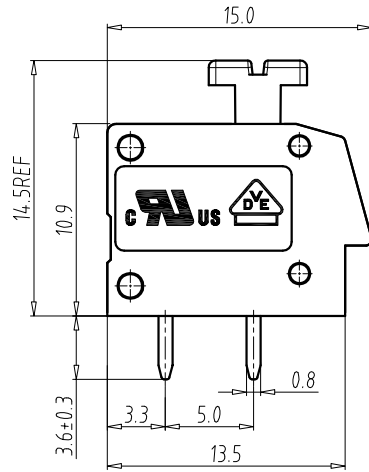
2. IEC:

Rating:630V, 16A;
Rate Impulse Voltage:6000V;
Insulation Resistance:500MΩ or more at DC500V;
Contact Resistance: ≤5mΩ
Material Group: I , Pollution Degree:2;
Overvoltage Category:III;
Suitable Electric Wire:0.2mm²~2.5mm²

3. Using Temperature Range:-40℃~+115℃;

4. Strip length:10.0-11.0mm

5. RoHS compliance;



DIM	P	2	3	4	5	6	7	8
L		14.0	21.50	29.0	36.5	44.0	51.5	59.0
A		7.50	15.0	22.5	30	37.5	45	52.5

DIM	P	9	10	11	12	13	14	15	16
L		66.5	74.0	81.5	89.0	96.5	104.0	111.5	119.0
A		60	67.5	75	82.5	90	97.5	105	112.5

Total Pitch Tolerances in mm								Nominal dimension range in mm								
over	over	over	over	over	over	over	over	over	over	over	over	over	over	over	over	
0	30	53	70	90	115	150	200	0	30	53	70	90	115	150	200	
to	to	to	to	to	to	to	to	to	to	to	to	to	to	to	to	
30	53	70	90	115	150	200	320	30	53	70	90	115	150	200	250	320
±0.20	±0.25	±0.3	±0.35	±0.44	±0.55	±0.70	±1.00	±0.25	±0.30	±0.35	±0.44	±0.55	±0.70	±0.80	±0.90	±1.20

7	SPRING	P	STAINLESS STEEL	/
6	SOLDER PIN	P	Copper Alloy	Tin Plated
5	SPACE	P-1	PA66	UL94 V-0
4	END HOUSING	1	PA66	UL94 V-0
3	LEVER	P	PA66	UL94 V-0
2	COVER	1	PA66	UL94 V-0
1	HOUSING	P-1	PA66	UL94 V-0

ITEM	NAME OF PART	Q'TY	MATERIAL	NOTE			
DWG.	CZM	DATE	2021.03.29	UNITS	MM	SHEET/OF	1/1
CHK.		DATE		SCALE	2.5 : 1	A4	
APP.		DATE		NAME	TLM-213-7.50-XXP-X		
				DWGN0	TLDW-TLM21375XXPX		

