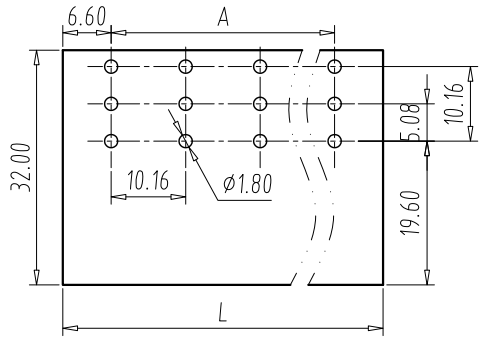
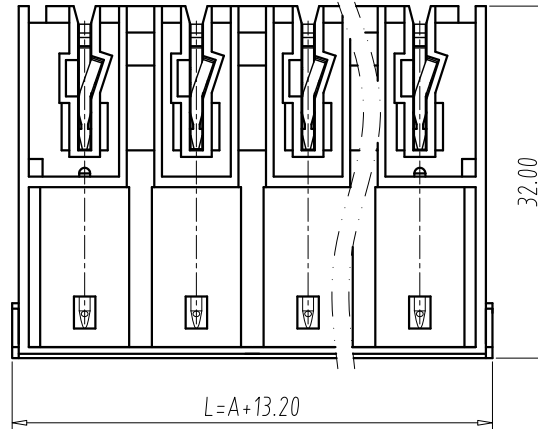


FILE: TLP\800\TLPHC-800RL-XXP-X

REV	E.C.N NO.	CONTENT	CHK	DATE
V0.1	S2308013	Add VDE logo,change the Plated	YJ	2023.08.26

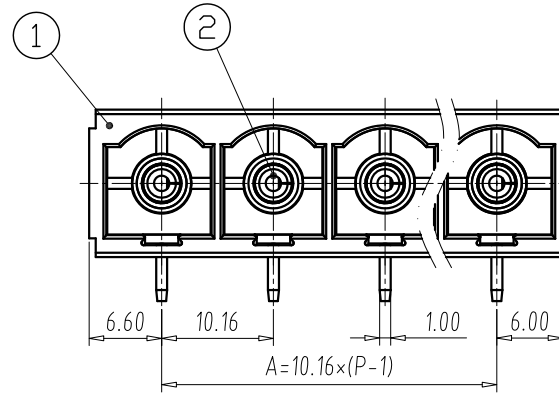
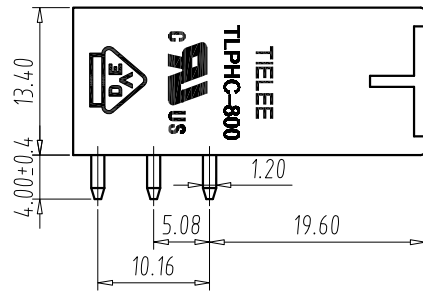


PCB LAYOUT
S=1:1



NOTES:

- UL:
Rating:300V, 55A (B, C); 600V (D)
Insulation Withstands Voltage:AC2200V/1MIN;
- IEC:
Rating:1000V, 76A;
Rate Impulse Voltage:6000V;
Insulation Resistance:500MΩ or more at DC500V;
Contact Resistance: ≤5mΩ
Material Group: I;
Pollution Degree:2;
Overvoltage Category: II;
- Using Temperature Range:-40°C~+115°C;
- RoHS compliance;



DIM	P	02	03	04	05	06	07	08	09	10	11
L		23.36	33.52	43.68	53.84	64	74.16	84.32	94.48	104.64	114.8
A		10.16	20.32	30.48	40.64	50.8	60.96	71.12	81.28	91.44	101.6

Total Pitch Tolerances in mm											Nominal dimension range in mm										
over	over	over	over	over	over	over	over	over	over	over	over	over	over	over	over	over	over	over	over	over	
0	30	53	70	90	115	150	200	250	300	320	0	30	53	70	90	115	150	200	250	320	
±0.20	±0.25	±0.3	±0.35	±0.44	±0.55	±0.70	±0.85	±1.00	±0.25	±0.30	±0.35	±0.44	±0.55	±0.70	±0.80	±0.90	±1.20				

2	SOLDER PIN	P	COPPER ALLOY	Ag Plated
1	HOUSING	1	PA66	UL94 V-0
ITEM	NAME OF PART	Q'TY	MATERIAL	NOTE

DWG.	SK	DATE	2021.06.03	UNITS	MM	SHEET/OF	1/1
CHK.		DATE		SCALE	15:1	A4	
APP.		DATE		NAME: TLPHC-800RL-XXP-X			
 TIANLI ELECTRICAL MACHINERY(NINGBO)CO.,LTD.				DWGNO.	TLDW-TLPHC800RLXXPX		