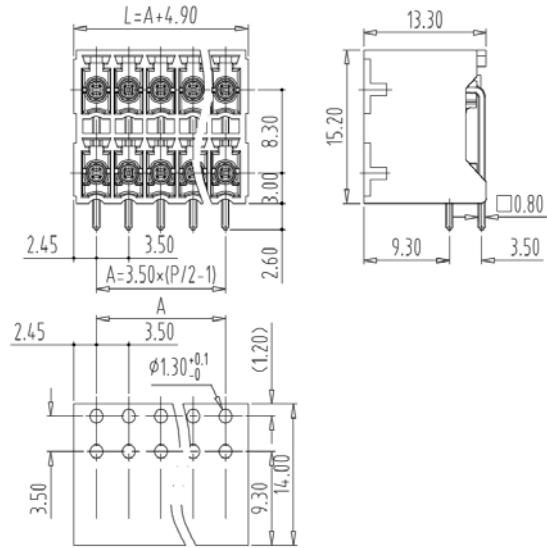


PCB Connector — TLP series (Pin header)— TLPHDC-007R



■ 图示(Pic. shown) : TLPHDC-007R-10P-G26

General.

PCB Connector Rated : 160V,10A

Single row , 3.50mm pitch , 04-48 Pole

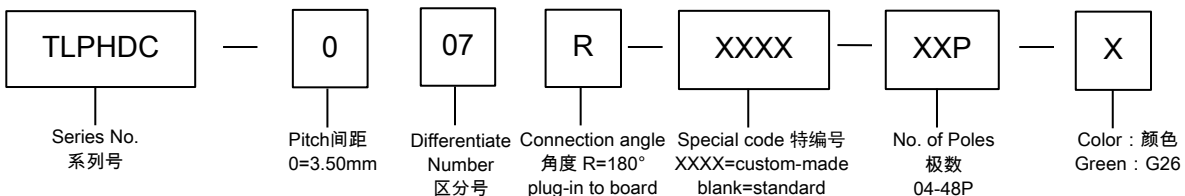
Orientation:180°(plug-in to board)

认证 (Approval) :



技术参数 Technical Data	UL standard			IEC standard		
	UL Application group			IEC过电压别/污染等级(IEC overvoltage category /pollution degree)		
UL应用组别(UL Application group)	UL Application group			IEC过电压别/污染等级(IEC overvoltage category /pollution degree)		
IEC过电压别/污染等级(IEC overvoltage category /pollution degree)	B	C	D	III / 3	III / 2	II / 2
额定电压(Rated voltage)	300V	--	300V	160V	160V	250V
额定电流(Rated current)	8A	--	8A	10A	10A	10A
额定连接容量(Rated connection capacity)	--			--		
绝缘材料(Insulation Material)				PA66 UL94 V-0		
绝缘材料组别(Material group)				Illa		
电流承载部件材料和镀层(Material & Plating of Current carrier)				Copper alloy , Tin plated		
接线弹片材料(Material of Clamp spring)				--		
耐电压(1分钟)(Withstanding Voltage/1Min)				1600V		
额定冲击电压(Rated surge voltage)				2500V		
接线螺丝(Wire clamp unit Screw) , 最大扭矩(torque Max.)				--		
固定螺丝(Mounting Screw) , 扭矩(torque)				--		
剥线长度(Wire stripping length)				--		
使用温度(Operating temperature)				-40°C up to +115°C(UL)/-40°C up to +120°C(IEC)		
存储温度(Storage temperature)				-40°C up to +70°C		
存储相对湿度(Storage relative humidity)				≤70%		
焊接方式(Soldering recommend)				Wave soldering ,260°C 5S		

■ 订购方式(How to order)

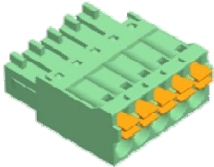


■ 编码片 Coding key

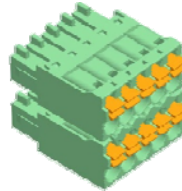


P/N:
TLPCK-001-S

■ 插头 (Female Connector)



P/N : TLPS-007
Wiring orientation :
180°(wire to plug-in)
Rated : 160V,10A , 1.5mm²
Spring clamp unit.



P/N : TLPSD-007
Wiring orientation :
180°(wire to plug-in)
Rated : 160V,10A , 1.5mm²
Spring clamp unit.