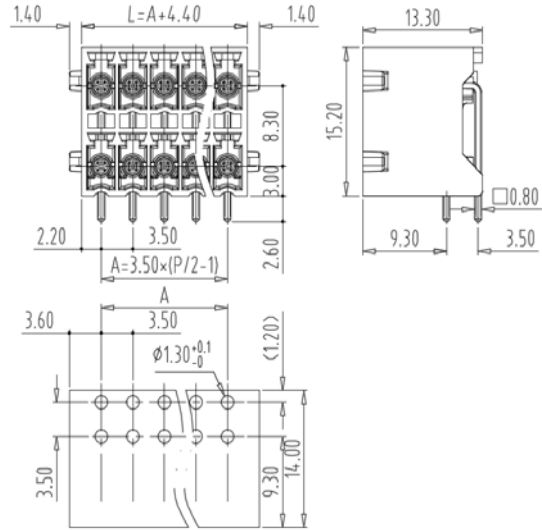


PCB Connector — TLP series ( Pin header )— TLPHDL-007R



■ 图示(Pic. shown) : TLPHDL-007R-10P-K

General.

PCB Connector Rated : 160V,10A

Single row , 3.50mm pitch , 04-48 Pole

Orientation:180°(plug-in to board)

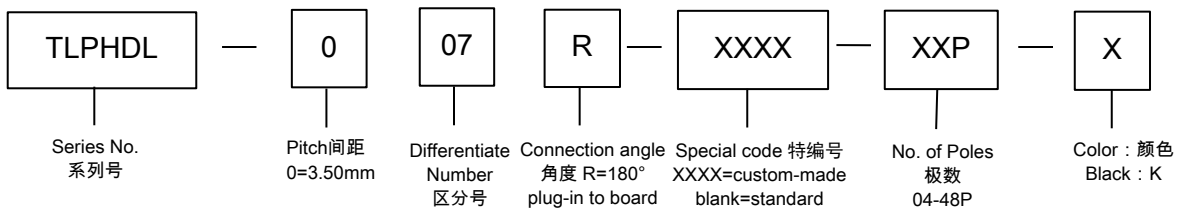
认证 ( Approval ) :



■ 技术参数 Technical Data

UL应用组别(UL Application group) IEC过电压别/污染等级(IEC overvoltage category /pollution degree)	UL standard			IEC standard		
	B	C	D	IEC过电压别/污染等级(IEC overvoltage category /pollution degree)		
额定电压(Rated voltage)	300V	--	300V	160V	160V	250V
额定电流(Rated current)	8A	--	8A	10A	10A	10A
额定连接容量(Rated connection capacity)	--			--		
绝缘材料(Insulation Material)	PA66 UL94 V-0					
绝缘材料组别(Material group)	Illa					
电流承载部件材料和镀层( Material & Plating of Current carrier )	Copper alloy , Tin plated					
接线弹片材料(Material of Clamp spring )	--					
耐电压(1分钟)(Withstanding Voltage/1Min)	1600V					
额定冲击电压(Rated surge voltage)	2500V					
接线螺丝(Wire clamp unit Screw) , 最大扭矩( torque Max. )	--					
固定螺丝(Mounting Screw) , 扭矩(torque)	--					
剥线长度(Wire stripping length)	--					
使用温度(Operating temperature)	-40°C up to +115°C(UL)/-40°C up to +120°C(IEC)					
存储温度(Storage temperature)	-40°C up to +70°C					
存储相对湿度(Storage relative humidity)	≤70%					
焊接方式(Soldering recommend)	Wave soldering ,260°C 5S					

■ 订购方式(How to order)

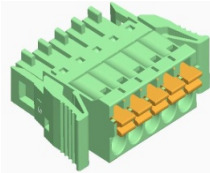


## ■ 编码片 Coding key

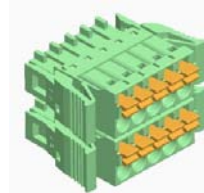


P/N:  
TLPCK-001-S

## ■ 插头 ( Female Connector ) — single row



P/N : TLPSL-007  
Wiring orientation :  
180°(wire to plug-in )  
Rated : 160V,10A , 1.5mm<sup>2</sup>  
Spring clamp unit.



P/N : TLPSDL-007  
Wiring orientation :  
180°(wire to plug-in )  
Rated : 160V,10A , 1.5mm<sup>2</sup>  
Spring clamp unit.