

PCB terminal block — TLM series (Screwless Type) — TLM-004AT-7.62

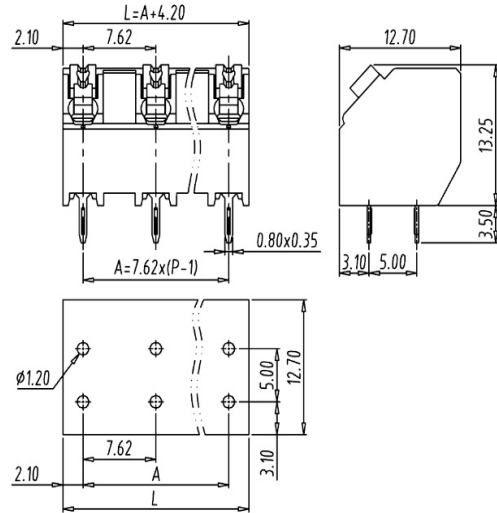




图 示(Pic. shown) : TLM-004AT-7.62-04P(K)

General: PCB terminal block Rated : 630V,17.5A 1.5mm²
Single row , 7.62mm pitch , 02-16 Pole
Wiring orientation:45°(wire-to-board)
Screwless Type

认证 (Approval) :  

技术参数 Technical Data	UL standard			IEC standard		
	UL Application group			IEC过电压别/污染等级(IEC overvoltage category /pollution degree)		
UL应用组别(UL Application group)	B	C	D	III / 3	III / 2	II / 2
IEC过电压别/污染等级(IEC overvoltage category /pollution degree)				500V	630V	800V
额定电压(Rated voltage)	300V	--	300V	17.5A	17.5A	17.5A
额定电流(Rated current)	12A	--	10A			
额定连接容量(Rated connection capacity)	28-16AWG			0.2~1.5mm ²		
刚性导线横截面 (AWG) (Conductor cross section,solid)				28~16		
柔性导线横截面 (AWG) (Conductor cross section,stranded)				28~16		
刚性导线横截面 (mm ²) (Conductor cross section,rigid)				0.2~1.5		
柔性导线横截面 (mm ²) (Conductor cross section,flexible)				0.2~1.5		
柔性导线横截面, 不带绝缘套管的冷压头(mm2) (Conductor cross section flexible , with ferrule without plastic)				0.2~1.0		
柔性导线横截面, 带绝缘套管的冷压头(mm2) (Conductor cross section flexible , with ferrule with plastic sleeve)				0.2~0.75		
2根具有相同横截面的导线, 柔性, 带TWIN套管及塑料套管(mm2) (2 conductors with the same section flexible with TWIN ferrule and plastic sleeve)				--		
绝缘材料(Insulation Material)				PA-HT UL94 V-0		
绝缘材料组别(Material group)				Illa		
电流承载部件材料和镀层(Material & Plating of Current carrier)				H-Copper Alloy , Tin plated		
接线弹片材料(Material of Clamp spring)				Stainless		
耐电压(1分钟)(Withstanding Voltage/1Min)				1600V		
额定冲击电压(Rated surge voltage)				6000V		
接线螺丝(Wire clamp unit Screw), 最大扭矩(torque Max.)				--		
固定螺丝(Mounting Screw), 扭矩(torque)				--		
剥线长度(Wire stripping length)				8.0-9.0mm		
使用温度(Operating temperature)				-40°C up to +130°C(UL)/-40°C up to +120°C(IEC)		
存储温度(Storage temperature)				-40°C up to +70°C		
存储相对湿度(Storage relative humidity)				≤70%		
焊接方式(Soldering recommend)	Reflow soldering ,260°C 30S Max					

订购方式(How to order)

